



ARISTON

SPARE PARTS EXPLODED VIEW GAS-WALL BOILER ATM. BURNER

Model

GENUS EVO - CLAS EVO

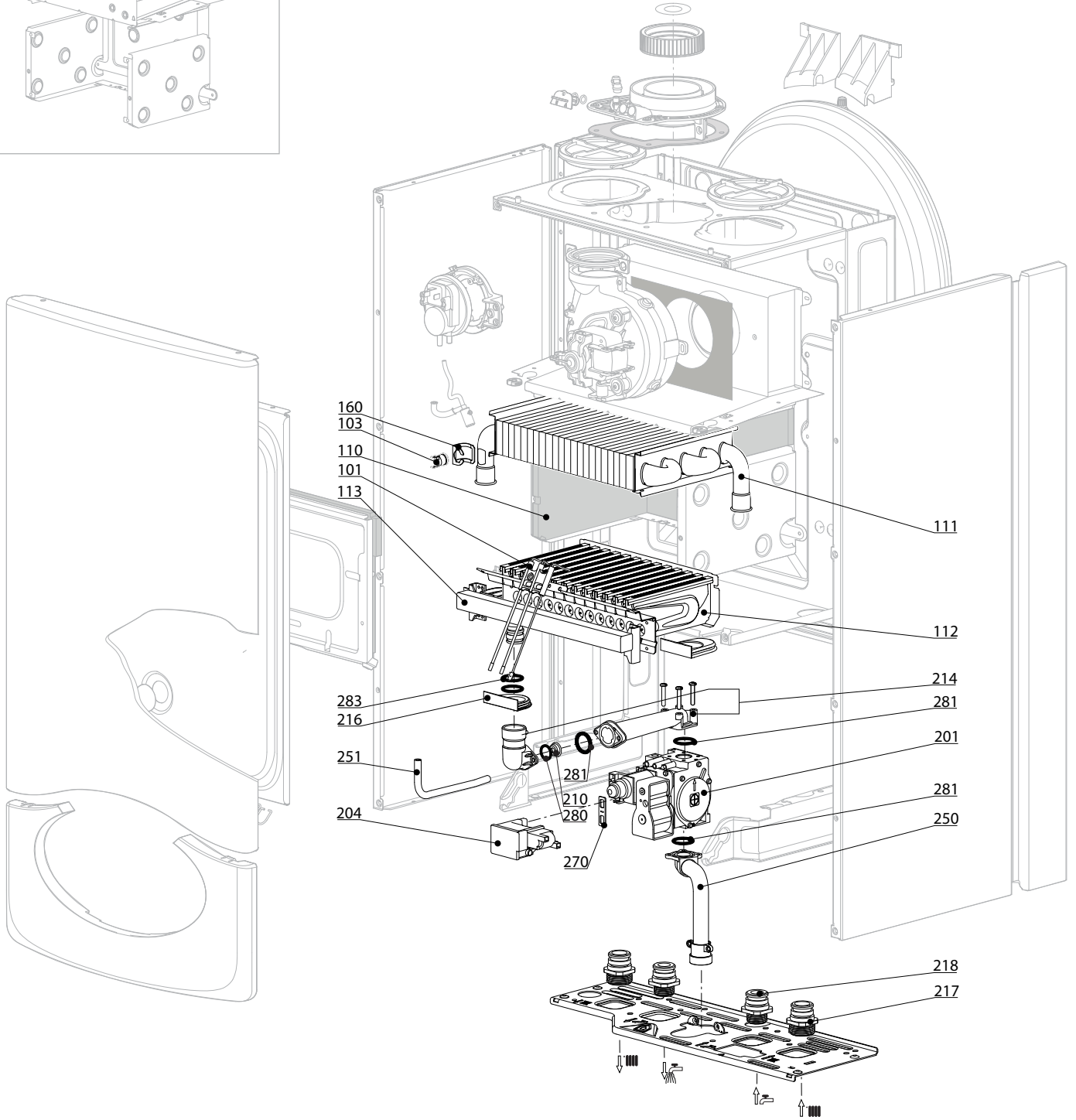
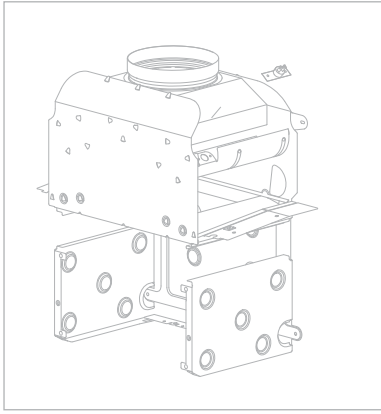
R8203324-03 - 29/12/2015

GENUS EVO - CLAS EVO

Gas-wall boiler atm. burner

| | | | | |
|----|---------|-----------------------|---------|---|
| 1 | 3300473 | GENUS EVO 24 CF | 05-2012 | - |
| 2 | 3300475 | GENUS EVO 30 CF | 05-2012 | - |
| 3 | 3300472 | GENUS EVO 24 FF | 05-2012 | - |
| 4 | 3300474 | GENUS EVO 30 FF | 05-2012 | - |
| 5 | 3300476 | GENUS EVO 32 FF | 05-2012 | - |
| 6 | 3300477 | GENUS EVO 35 FF | 05-2012 | - |
| 7 | 3300481 | CLAS EVO 24 CF | 05-2012 | - |
| 8 | 3300730 | CLAS EVO 24 CF EU | | |
| 9 | 3300732 | CLAS EVO 28 CF EU | | |
| 10 | 3300480 | CLAS EVO 24 FF NG | 05-2012 | - |
| 10 | 3300482 | CLAS EVO 24 FF LPG | 05-2012 | - |
| 11 | 3300738 | CLAS EVO 24 FF NG TK | | |
| 12 | 3300483 | CLAS EVO 28 FF | 05-2012 | - |
| 12 | 3300484 | CLAS EVO 28 FF LPG | 05-2012 | - |
| 13 | 3300486 | CLAS EVO SYSTEM 24 CF | 05-2012 | - |
| 14 | 3300488 | CLAS EVO SYSTEM 28 CF | 05-2012 | - |
| 15 | 3300485 | CLAS EVO SYSTEM 24 FF | 05-2012 | - |
| 16 | 3300487 | CLAS EVO SYSTEM 28 FF | 05-2012 | - |
| 17 | 3300489 | CLAS EVO SYSTEM 32 FF | 05-2012 | - |

| Col | Reference | Model type | Begin | End |
|-----|-----------|------------|-------|-----|
|-----|-----------|------------|-------|-----|

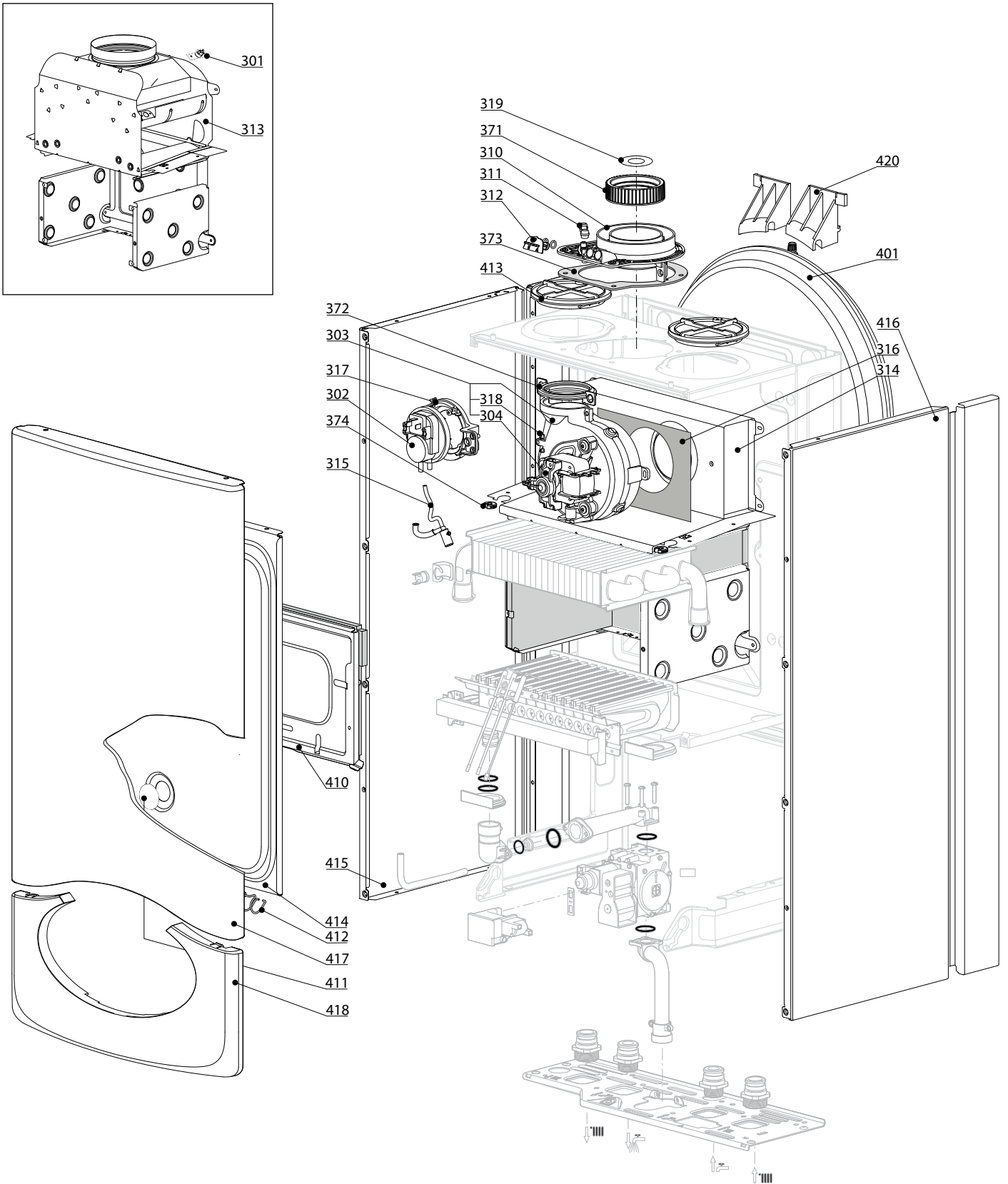


| ☉⇒ | Description | Manf. Pt. N | Type | <div style="display: flex; justify-content: space-between; font-size: 8px; text-align: center;"> GENUS EVO 24 CF GENUS EVO 30 CF GENUS EVO 24 FF GENUS EVO 30 FF CLAS EVO 32 FF CLAS EVO 35 FF CLAS EVO 24 CF CLAS EVO 28 CF EU CLAS EVO 24 FF EU CLAS EVO 24 FF TK CLAS EVO SYSTEM 24 CF CLAS EVO SYSTEM 28 CF CLAS EVO SYSTEM 24 FF CLAS EVO SYSTEM 28 FF </div> | | | | | | | | | | | | | | | | | | From | to |
|-------------|---------------------------------|-------------|------|--|---|---|---|---|---|---|---|---|----|----|----|----|----|----|----|----|----|------|----|
| | | | | 1 | 2 | 3 | 4 | 5 | 6 | 7 | 8 | 9 | 10 | 11 | 12 | 13 | 14 | 15 | 16 | 17 | 18 | | |
| 0100 | BURNER ASSEMBLY | | | | | | | | | | | | | | | | | | | | | | |
| 0101 | ELECTRODE (IGNITION/IONIZATION) | 65104549 | | • | • | • | • | • | • | • | • | • | • | • | • | • | • | • | • | | | | |
| 0110 | PANELS (KIT) | 65104695 | | • | | • | | | | • | • | | • | • | | | • | • | | | | | |
| | PANELS (KIT) | 65105029 | | | • | | • | • | | • | | | | • | | | | • | | | | | |
| | PANELS (KIT) | 65106298 | | | | • | | | | | | • | • | | | | • | | | | | | |
| 0111 | HEAT EXCHANGER | 65104247 | | • | | | | | • | • | | | | • | | | | | | | | | |
| | HEAT EXCHANGER | 65105041 | | | | | | • | • | | | | | | | | | • | | | | | |
| | HEAT EXCHANGER | 65106297 | | | | • | | | | | • | • | | | | • | | • | | | | | |
| | HEAT EXCHANGER | 65111931 | | | • | | | | | • | | | | | • | | | | | | | | |
| | HEAT EXCHANGER | 65111932 | | | | | • | | | | | | • | | | | • | | | | | | |
| 0112 | BURNER 11NP | 65106294 | | | | • | | | | | • | • | | | | • | | • | | | | | |
| | BURNER 13NP | 60001582 | | • | | | | | • | • | | | | • | | | | | | | | | |
| | BURNER 13NP | 65104220 | | | | | • | | | | | • | | | | | • | | | | | | |
| | BURNER 15NP | 65105027 | | | • | | | • | | | • | | | | • | | | • | | | | | |
| | BURNER 16NP | 60001596 | | | | | | | • | | | | | | | | | | | | | | |
| 0113 | GAS MANIFOLD 11 INJ. D:0.80 | 65106605 | LPG | | | | | | | | | • | | | | | | | | | | | |
| | GAS MANIFOLD 11 INJ. D:1.32 | 65106302 | MET | | | | • | | | | | • | • | | | | • | | | | | | |
| | GAS MANIFOLD 13 INJ. D:0.80 | 65104225 | LPG | | | | | | | | | | • | | | | | | | | | | |
| | GAS MANIFOLD 13 INJ. D:1.25 | 65104302 | MET | • | | | | | • | • | | | | • | | | | | | | | | |
| | GAS MANIFOLD 13 INJ. D:1.32 | 65104226 | MET | | | | • | | | | | | | • | | | | • | | | | | |
| | GAS MANIFOLD 15 INJ. D:1.25 | 65105026 | MET | | • | | | | | • | | | | | • | | | | | | | | |
| | GAS MANIFOLD 15 INJ. D:1.32 | 65105037 | MET | | | | | • | | | | | | | | | | • | | | | | |
| | GAS MANIFOLD 16 INJ. D:1.32 | 65105997 | MET | | | | | | • | | | | | | | | | | | | | | |
| 0200 | GAS SECTION | | | | | | | | | | | | | | | | | | | | | | |
| 0201 | GAS VALVE | 65104254 | | • | • | • | • | • | • | • | • | • | • | • | • | • | • | • | | | | | |
| 0204 | SPARK GENERATOR | 60001888 | | • | • | • | • | • | • | • | • | • | • | • | • | • | • | • | | | | | |
| 0214 | PIPE (GAS VALVE/BURNER) | 65104230 | | • | • | • | • | • | • | • | • | • | • | • | • | • | • | • | | | | | |
| 0216 | GROMMET | 60000624 | | • | • | • | • | • | • | • | • | • | • | • | • | • | • | • | | | | | |
| 0217 | UNION (3/4») | 65104326 | | • | • | • | • | • | • | • | • | • | • | • | • | • | • | • | | | | | |
| 0218 | UNION (1/2») | 65104327 | | • | • | • | • | • | • | • | • | • | • | • | • | • | • | • | | | | | |
| 0250 | GAS TUBE | 65104251 | | • | • | • | • | • | • | • | • | • | • | • | • | • | • | • | | | | | |
| 0251 | EPDM PIPE | 65104296 | | | | • | • | • | • | | | • | • | • | • | • | • | • | | | | | |
| 0270 | GASKET (SPARK GENERATOR) | 574279 | | • | • | • | • | • | • | • | • | • | • | • | • | • | • | • | | | | | |
| 0281 | O-RING 22.22X2.62 | 65104304 | | • | • | • | • | • | • | • | • | • | • | • | • | • | • | • | | | | | |
| 0283 | O-RING 17.17X1.78 | 65104303 | | • | • | • | • | • | • | • | • | • | • | • | • | • | • | • | | | | | |

300
400

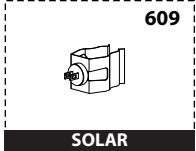
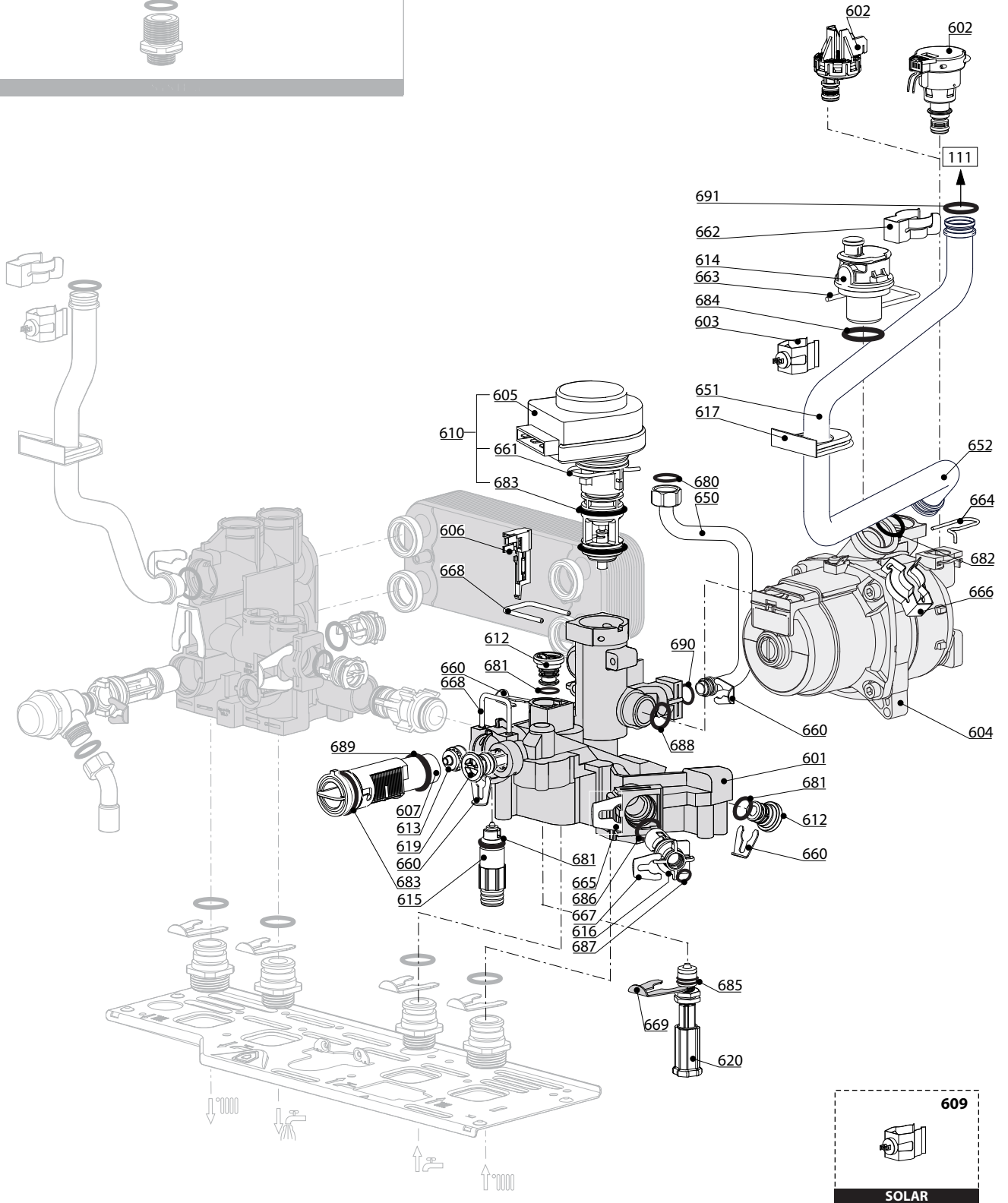
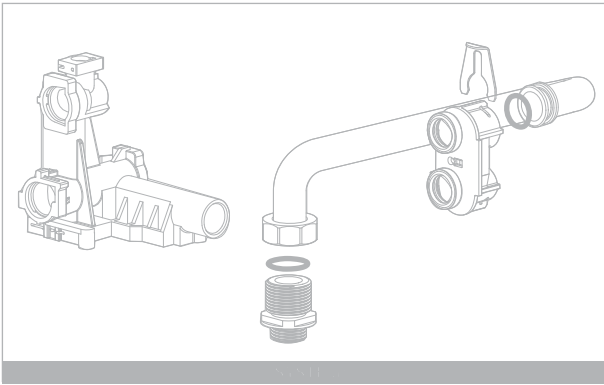
GENUS EVO - CLAS EVO

Gas-wall boiler atm. burner

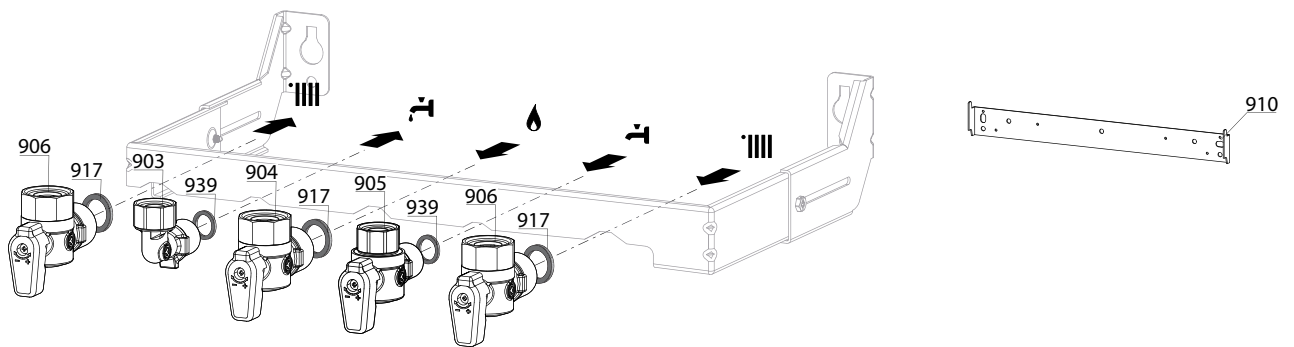
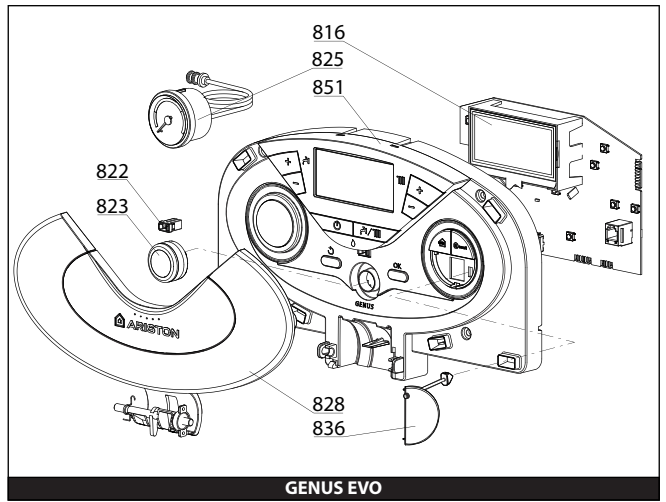
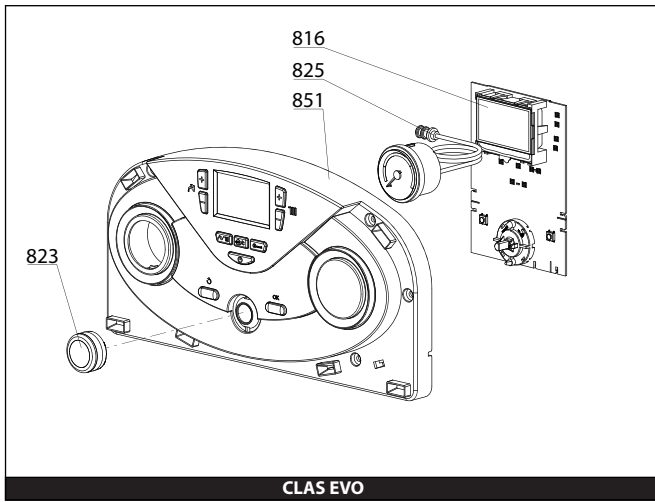
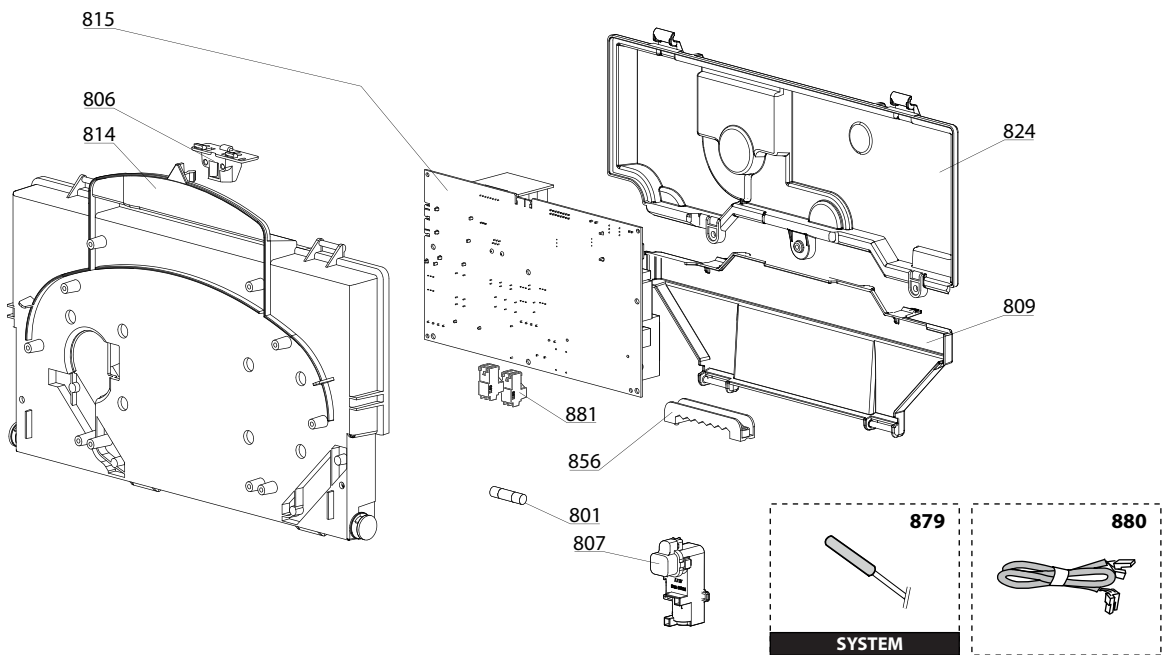


| ☉⇒ | Description | Manf. Pt. N | Type | <div style="display: flex; justify-content: space-between; font-size: 8px; text-align: center;"> GENUS EVO 24 CF GENUS EVO 30 CF GENUS EVO 24 FF GENUS EVO 30 FF CLAS EVO 32 FF CLAS EVO 35 FF CLAS EVO 24 CF CLAS EVO 28 CF CLAS EVO 24 FF CLAS EVO 28 FF CLAS EVO 24 FF TK CLAS EVO 28 FF CLAS EVO SYSTEM 24 CF CLAS EVO SYSTEM 28 CF CLAS EVO SYSTEM 24 FF CLAS EVO SYSTEM 28 FF </div> | | | | | | | | | | | | | | | | | | From | to |
|-------------|--------------------------------|-------------|------|--|---|---|---|---|---|---|---|---|----|----|----|----|----|----|----|----|----|------|----|
| | | | | 1 | 2 | 3 | 4 | 5 | 6 | 7 | 8 | 9 | 10 | 11 | 12 | 13 | 14 | 15 | 16 | 17 | 18 | | |
| 0300 | FAN ASSEMBLY | | | | | | | | | | | | | | | | | | | | | | |
| 0301 | THERMOSTAT 75-65°C | 999539 | | • | • | | | | | • | • | • | • | | • | • | | | | | | | |
| 0302 | AIR PRESSURE SWITCH 50 Pa | 65104671-01 | | | | • | | | | | | • | • | | | | • | | | | | | |
| | AIR PRESSURE SWITCH 74 Pa | 65104672-01 | | | | | • | • | • | | | | • | | | | • | • | | | | | |
| 0303 | FAN | 65104231 | | | | • | | | | | | | | | | | | | | | | | |
| | FAN | 65104255 | | | | • | | | | | | | | | | | | | | | | | |
| | FAN | 65104357 | | | | | | | | | | • | • | | | | • | | | | | | |
| | FAN | 65104452 | | | | | | | | | | | | • | | | • | | | | | | |
| | FAN | 65105042 | | | | | | • | • | | | | | | | | | | | | | | |
| | FAN | 65105155 | | | | | | | | | | | | | | | | | • | | | | |
| 0304 | HALL SENSOR 15/24/25 FF | 65108301 | | | | • | | | | | | | | | | | | | | | | | |
| | HALL SENSOR 28/30/35 FF | 65108255 | | | | | • | • | • | | | | | | | | | | | | | | |
| 0310 | FLUE (EXHAUST MANIFOLD/HEADER) | 65105393 | | | | • | • | • | • | | | | • | • | • | | • | • | • | | | | |
| 0311 | AIR INTAKE COVER | 573329 | | | | • | • | • | • | | | | • | • | • | | • | • | • | | | | |
| 0312 | FLUE INTAKE PLUG | 65104295 | | | | • | • | • | • | | | | • | • | • | | • | • | • | | | | |
| 0313 | COMBUSTION CHAMBER 24CF | 65104218 | | • | | | | | | • | • | | | | • | | | | | | | | |
| | COMBUSTION CHAMBER 28CF | 65105028 | | | • | | | | | | • | | | | • | | | | | | | | |
| 0314 | COMBUSTION CHAMBER 24/28 FF | 65104219 | | | | | • | | | | | | • | | | | • | | | | | | |
| | COMBUSTION CHAMBER 24/28 FF | 65106295 | | | | • | | | | | | • | • | | | | • | | | | | | |
| | COMBUSTION CHAMBER 35FF | 65105040 | | | | | | • | • | | | | | | | | | | • | | | | |
| 0315 | CONDENSATE TRAP | 65104623 | | | | • | • | • | • | | | | • | • | • | | • | • | • | | | | |
| 0316 | PANEL (INSULATION - FAN) | 65104305 | | | | • | • | • | • | | | | • | • | • | | • | • | • | | | | |
| 0317 | SUPPORT (AIR PRESSURE SWITCH) | 65104378 | | | | • | • | • | • | | | | • | • | • | | • | • | • | | | | |
| 0318 | VENTURI 15/24FF | 65106516 | | | | • | | | | | | | • | • | | | • | | | | | | |
| | VENTURI 28/30FF | 65106515 | | | | | • | | | | | | | • | | | • | | | | | | |
| | VENTURI 32/35FF | 65106517 | | | | | | • | • | | | | | | | | | | • | | | | |
| 0319 | RESTRICTOR KIT | 60001598 | | | | • | • | • | • | | | | • | • | • | | • | • | • | | | | |
| 0371 | COLLAR GASKET | 65104258 | | | | • | • | • | • | | | | • | • | • | | • | • | • | | | | |
| 0372 | FAN GASKET | 65104257 | | | | • | • | • | • | | | | • | • | • | | • | • | • | | | | |
| 0373 | GASKET | 60000317 | | | | • | • | • | • | | | | • | • | • | | • | • | • | | | | |
| 0374 | CABLE INLET RUBBER WASHER | 60000716 | | • | • | • | • | • | • | • | • | • | • | • | • | • | • | • | • | | | | |
| 0400 | SEALED CASE | | | | | | | | | | | | | | | | | | | | | | |
| 0401 | EXPANSION VESSEL 8L | 65104261 | | • | • | • | • | • | • | • | • | • | • | • | • | • | • | • | • | | | | |
| 0410 | PANEL (COMBUSTION CHAMBER) | 65104240 | | • | | | • | | | • | • | | | • | • | | • | | | | | | |
| | PANEL (COMBUSTION CHAMBER) | 65105033 | | | • | | | • | • | | • | | | | • | | | | • | | | | |
| | PANEL (COMBUSTION CHAMBER) | 65106296 | | | | • | | | | | | • | • | | | | • | | | | | | |
| 0411 | SIGHT GLASS | 65104232 | | | | • | • | • | • | | | | • | • | • | | • | • | • | | | | |
| 0412 | SPRING FRONT PANEL (KIT) | 65104298 | | | | • | • | • | • | | | | • | • | • | | • | • | • | | | | |
| 0413 | AIR RETURN COVER | 65104249 | | | | • | • | • | • | | | | • | • | • | | • | • | • | | | | |
| 0414 | PANEL (FRONT - SEALED CHAMBER) | 65105678-02 | | | | • | • | | | | | | • | • | • | | • | • | • | | | | |
| | PANEL (FRONT - SEALED CHAMBER) | 65105679-02 | | | | | | • | • | | | | | | | | | | • | | | | |
| 0415 | CASE PANEL (L.H. SIDE) | 65105676 | | • | • | • | • | • | • | • | • | • | • | • | • | • | • | • | • | | | | |
| 0416 | CASE PANEL (R.H. SIDE) | 65105677 | | • | • | • | • | • | • | • | • | • | • | • | • | • | • | • | • | | | | |
| 0417 | CASE PANEL (FRONT) | 65104299 | | • | | • | | | | • | • | | | • | • | • | | • | • | | | | |
| | CASE PANEL (FRONT) | 65105031 | | | • | | | • | • | | • | | | | • | | | | • | | | | |
| 0418 | FACIA | 65111904 | | • | | • | | | | • | • | | | • | • | | • | • | • | | | | |
| | FACIA | 65111926 | | | • | | | • | • | | • | | | | • | | | | • | | | | |
| 0420 | EXPANSION VESSEL SUPPORT | 65104696 | | • | • | • | • | • | • | • | • | • | • | • | • | • | • | • | • | | | | |

| ☉⇒ | Description | Manf. Pt. N | Type | <div style="display: flex; justify-content: space-between; font-size: small;"> GENUS EVO 24 CF GENUS EVO 30 CF GENUS EVO 24 FF GENUS EVO 30 FF CLAS EVO 32 FF CLAS EVO 35 FF CLAS EVO 24 CF CLAS EVO 28 CF EU CLAS EVO 24 FF EU CLAS EVO 24 FF TK CLAS EVO SYSTEM 24 CF CLAS EVO SYSTEM 28 CF CLAS EVO SYSTEM 24 FF CLAS EVO SYSTEM 28 FF </div> | | | | | | | | | | | | | | | | | | From | to |
|------|---------------------------------|-------------|-------|--|---|---|---|---|---|---|---|---|----|----|----|----|----|----|----|----|----|------|----|
| | | | | 1 | 2 | 3 | 4 | 5 | 6 | 7 | 8 | 9 | 10 | 11 | 12 | 13 | 14 | 15 | 16 | 17 | 18 | | |
| 0500 | FLOW GROUP | | | | | | | | | | | | | | | | | | | | | | |
| 0501 | FLOW GROUP | 60001953 | | • | • | • | • | • | • | • | • | • | • | • | | | | | | | | | |
| | FLOW GROUP | 65105091-01 | | | | | | | | | | | | • | • | • | • | • | | | | | |
| 0502 | TEMPERATURE PROBE + CLIP KIT | 990686-01 | | • | • | • | • | • | • | • | • | • | • | • | • | • | • | • | | | | | |
| 0503 | PRESSURE RELIEF VALVE (3 BAR) | 61312668 | | • | • | • | • | • | • | • | • | • | • | • | • | • | • | • | | | | | |
| 0507 | SANITARY HEAT EXCHANGER (16 P.) | 65104333 | | • | • | • | • | • | • | • | • | • | • | • | • | • | • | • | | | | | |
| 0512 | PLUG | 65104445 | | • | • | • | • | • | • | • | • | • | • | • | • | • | • | • | | | | | |
| 0514 | BY-PASS | 65104336 | | • | • | • | • | • | • | • | • | • | • | • | • | • | • | • | | | | | |
| 0515 | GROMMET | 60000808 | | • | • | • | • | • | • | • | • | • | • | • | • | • | • | • | | | | | |
| 0519 | INTERFACE 'System +' Open | 60001365 | SYST+ | | | | | | | | | | | • | • | • | • | • | | | | | |
| 0520 | UNION (3/4»-1/2») | 60001367 | | | | | | | | | | | | • | • | • | • | • | | | | | |
| 0521 | HYDRAULIC GROUP SUPPORT | 65104311 | | • | • | • | • | • | • | • | • | • | • | • | • | • | • | • | | | | | |
| 0550 | PIPE (SAFETY VALVE) | 65104447 | | • | • | • | • | • | • | • | • | • | • | • | • | • | • | • | | | | | |
| 0551 | PIPE (C.H. FLOW) | 65104252 | | • | | • | | • | • | | | | • | • | | | • | | | | | | |
| | PIPE (C.H. FLOW) | 65105035 | | | • | | • | • | | • | | | | • | | | | • | | | | | |
| | PIPE (C.H. FLOW) | 65106309 | | | | • | | | | | • | • | | | | • | | | | | | | |
| 0552 | BY-PASS PIPE | 65104340 | | • | • | • | • | • | • | • | • | • | • | • | • | • | • | • | | | | | |
| 0557 | TUBO SYSTEM | 60001366 | | | | | | | | | | | | • | • | • | • | • | | | | | |
| 0560 | CLIP D:10 | 65104260 | | • | • | • | • | • | • | • | • | • | • | • | • | • | • | • | | | | | |
| 0561 | CLIP | 61307589 | | • | • | • | • | • | • | • | • | • | • | • | • | • | • | • | | | | | |
| 0562 | CLIP D:18 | 65104259 | | • | • | • | • | • | • | • | • | • | • | • | • | • | • | • | | | | | |
| 0580 | SHEET GASKET D: 13.9-10.4-1.5 | 60061853-02 | | • | • | • | • | • | • | • | • | • | • | • | • | • | • | • | | | | | |
| 0581 | O-RING 17.96X2.62 | 65104337 | | • | • | • | • | • | • | • | • | • | • | • | • | • | • | • | | | | | |
| 0582 | O-RING 17.86X2.62 | 61308091 | | • | • | • | • | • | • | • | • | • | • | • | • | • | • | • | | | | | |
| 0583 | O-RING 15.54X2.62 | 65104325 | | • | • | • | • | • | • | • | • | • | • | • | • | • | • | • | | | | | |
| 0585 | O-RING 17.04X3.53 | 65104262 | | • | • | • | • | • | • | • | • | • | • | • | • | • | • | • | | | | | |
| 0588 | EXCHANGER GASKET | 65104334 | | • | • | • | • | • | • | • | • | • | • | • | • | • | • | • | | | | | |
| 0589 | SHEET GASKET D: 24-14-1.5 | 60061855-17 | | | | | | | | | | | | • | • | • | • | • | | | | | |



| ☉⇒ | Description | Manf. Pt. N | Type | <div style="display: flex; justify-content: space-between; font-size: small;"> GENUS EVO 24 CF GENUS EVO 30 CF GENUS EVO 24 FF GENUS EVO 30 FF CLAS EVO 32 FF CLAS EVO 35 FF CLAS EVO 24 CF CLAS EVO 24 CF EU CLAS EVO 24 FF EU CLAS EVO 24 FF TK CLAS EVO 28 FF CLAS EVO SYSTEM 24 CF CLAS EVO SYSTEM 28 CF CLAS EVO SYSTEM 24 FF CLAS EVO SYSTEM 28 FF </div> | | | | | | | | | | | | | | | | | | From | to |
|-------------|--------------------------------|-------------|--------|--|---|---|---|---|---|---|---|---|----|----|----|----|----|----|----|----|----|------|----|
| | | | | 1 | 2 | 3 | 4 | 5 | 6 | 7 | 8 | 9 | 10 | 11 | 12 | 13 | 14 | 15 | 16 | 17 | 18 | | |
| 0600 | RETURN GROUP | | | | | | | | | | | | | | | | | | | | | | |
| 0601 | RETURN GROUP | 65104335 | | • | • | • | • | • | • | • | • | • | • | • | • | • | • | • | • | | | | |
| 0602 | LOW PRESSURE SWITCH | 65105090 | | | | | | | | | | | • | • | • | | | | | | | | |
| | PRESSURE SWITCH (PROPORTIONAL) | 65104321 | | • | • | • | • | • | | | | | | | | | | | | | | | |
| 0603 | TEMPERATURE PROBE + CLIP KIT | 990686-01 | | • | • | • | • | • | • | • | • | • | • | • | • | • | • | • | • | | | | |
| 0604 | PUMP 5M 2V WILO | 65104319 | WILO | • | • | • | • | • | | | | | • | • | • | • | • | • | • | | | | |
| | PUMP 5M PWM ENER+ | 60001947 | ENER + | | | | | | | | | | • | • | | | | | | | | | |
| | PUMP 6M 2V WILO | 60000591 | WILO | | | | | • | | | | | | | | | | | | | | | |
| 0605 | MOTOR (3-WAY VALVE) | 61302483-01 | | • | • | • | • | • | • | • | • | • | • | • | • | • | • | • | • | | | | |
| 0606 | SENSOR (REED) | 65104323 | | • | • | • | • | • | • | • | • | • | • | • | • | • | • | • | • | | | | |
| 0607 | FLOW METER | 65104317 | | • | • | • | • | • | • | • | • | • | • | • | • | • | • | • | • | | | | |
| 0610 | MOTOR + SPRING 3 WAY VALVE KIT | 60001583-01 | | • | • | • | • | • | • | • | • | • | • | • | • | • | • | • | • | | | | |
| 0612 | PLUG | 65104377 | | • | • | • | • | • | • | • | • | • | • | • | • | • | • | • | • | | | | |
| 0613 | RIDUCTORS (KIT) | 65104318 | | • | • | • | • | • | • | • | • | • | • | • | • | • | • | • | • | | | | |
| 0614 | AUTO AIR VENT ENER+ | 65112086 | ENER + | | | | | | | | | | • | • | | | | | | | | | |
| | AUTO AIR VENT WITH O-RING WILO | 65104703 | WILO | • | • | • | • | • | • | | | | • | • | • | • | • | • | • | | | | |
| 0615 | KIT DRAIN SCREW | 60001385 | | • | • | • | • | • | • | • | • | • | • | • | • | • | • | • | • | | | | |
| 0616 | WATER FILTER | 60001372 | | • | • | • | • | • | • | • | • | • | • | • | • | • | • | • | • | | | | |
| 0617 | GROMMET | 60000807 | | • | • | • | • | • | • | • | • | • | • | • | • | • | • | • | • | | | | |
| 0619 | CHECK VALVE CARTRIDGE | 65105323 | | • | • | • | • | • | • | • | • | • | • | • | • | • | • | • | • | | | | |
| 0620 | FILLING TAP KIT | 65114261 | | • | • | • | • | • | • | • | • | • | • | • | • | • | • | • | • | | | | |
| 0650 | PIPE (EXPANSION VESSEL) | 65104253 | | • | • | • | • | • | • | • | • | • | • | • | • | • | • | • | • | | | | |
| 0651 | PIPE (C.H. RETURN) | 60001271 | | • | | | | | | • | • | | | | • | | | | | | | | |
| | PIPE (C.H. RETURN) | 60001272 | | | | | | | | | | | | | | | | | | | | | |
| | PIPE (C.H. RETURN) | 60001276 | | | | | | | | | | | | | | | | | | | | | |
| | PIPE (C.H. RETURN) | 60001283 | | | | | | | | | | | | | | | | | | | | | |
| | PIPE (C.H. RETURN) | 60001284 | | | | | | | | | | | | | | | | | | | | | |
| 0660 | CLIP D:10 | 65104260 | | • | • | • | • | • | • | • | • | • | • | • | • | • | • | • | • | | | | |
| 0661 | CLIP | 65104332 | | • | • | • | • | • | • | • | • | • | • | • | • | • | • | • | • | | | | |
| 0662 | CLIP | 61307589 | | • | • | • | • | • | • | • | • | • | • | • | • | • | • | • | • | | | | |
| 0663 | U-CLIP | 65104704 | | • | • | • | • | • | • | • | • | • | • | • | • | • | • | • | • | | | | |
| 0664 | CLIP | 65104322 | | • | • | • | • | • | • | | | | | | | | | | | | | | |
| 0665 | CLIP | 65104331 | | • | • | • | • | • | • | • | • | • | • | • | • | • | • | • | • | | | | |
| 0666 | CLIP | 60000309 | | • | • | • | • | • | • | • | • | • | • | • | • | • | • | • | • | | | | |
| 0667 | CLIP | 65100680 | | • | • | • | • | • | • | • | • | • | • | • | • | • | • | • | • | | | | |
| 0668 | CLIP | 65104316 | | • | • | • | • | • | • | • | • | • | • | • | • | • | • | • | • | | | | |
| 0669 | CLIP | 65104339 | | • | • | • | • | • | • | • | • | • | • | • | • | • | • | • | • | | | | |
| 0680 | GASKET 3/8» | 573521 | | • | • | • | • | • | • | • | • | • | • | • | • | • | • | • | • | | | | |
| 0681 | O-RING 9.19X2.62 | 65104313 | | • | • | • | • | • | • | • | • | • | • | • | • | • | • | • | • | | | | |
| 0682 | O-RING 17.04X3.53 | 65104262 | | • | • | • | • | • | • | • | • | • | • | • | • | • | • | • | • | | | | |
| 0683 | O-RING 23.47X2.62 | 65104315 | | • | • | • | • | • | • | • | • | • | • | • | • | • | • | • | • | | | | |
| 0684 | O-RING 3X35 EPDM 75 SH | 65104705 | | • | • | • | • | • | • | • | • | • | • | • | • | • | • | • | • | | | | |
| 0685 | O-RING 7.65X1.78 | 65104329 | | • | • | • | • | • | • | • | • | • | • | • | • | • | • | • | • | | | | |
| 0686 | O-RING 15.54X2.62 | 65104325 | | • | • | • | • | • | • | • | • | • | • | • | • | • | • | • | • | | | | |
| 0687 | O-RING 5.7X1.9 | 61009834-10 | | • | • | • | • | • | • | • | • | • | • | • | • | • | • | • | • | | | | |
| 0688 | O-RING 21.89X2.62 | 65104320 | | • | • | • | • | • | • | • | • | • | • | • | • | • | • | • | • | | | | |
| 0689 | O-RING 17.17X1.78 | 65104303 | | • | • | • | • | • | • | • | • | • | • | • | • | • | • | • | • | | | | |
| 0690 | O-RING 8.9X2.7 | 61009834-14 | | • | • | • | • | • | • | • | • | • | • | • | • | • | • | • | • | | | | |
| 0691 | O-RING 17.86X2.62 | 61308091 | | • | • | • | • | • | • | • | • | • | • | • | • | • | • | • | • | | | | |



5000

5001
 Transf. gaz > GPL
 Conv. gas > GPL
 Trasn. gas > GPL
 Transf. gas > GPL

5002
 Transf. gaz > Nat
 Conv. gas > Nat
 Trasn. gas > Met
 Transf. gas > Met

5020
 Options
 Accessories
 Opzioni
 Accessorio

| ☉⇒ | Description | Manf. Pt. N | Type | <div style="display: flex; justify-content: space-between; font-size: small;"> GENUS EVO 24 CF GENUS EVO 30 CF GENUS EVO 24 FF GENUS EVO 30 FF CLAS EVO 32 FF CLAS EVO 35 FF CLAS EVO 24 CF CLAS EVO 24 CF EU CLAS EVO 24 FF EU CLAS EVO 28 FF TK CLAS EVO 28 FF CLAS EVO SYSTEM 24 CF CLAS EVO SYSTEM 28 CF CLAS EVO SYSTEM 24 FF CLAS EVO SYSTEM 28 FF </div> | | | | | | | | | | | | | | | | | | From | to |
|-------------|---------------------------------------|-------------|--------|--|---|---|---|---|---|---|---|---|----|----|----|----|----|----|----|----|----|------|----|
| | | | | 1 | 2 | 3 | 4 | 5 | 6 | 7 | 8 | 9 | 10 | 11 | 12 | 13 | 14 | 15 | 16 | 17 | 18 | | |
| 0800 | ELECTRICAL BOX | | | | | | | | | | | | | | | | | | | | | | |
| 0801 | FUSE 250V 2A | 61003456 | | • | • | • | • | • | • | • | • | • | • | • | • | • | • | • | • | | | | |
| 0806 | PUSH | 65104228 | | • | • | • | • | • | • | • | • | • | • | • | • | • | • | • | • | | | | |
| 0809 | INSPECTION COVER | 60001618 | | • | • | • | • | • | • | • | • | • | • | • | • | • | • | • | • | | | | |
| 0814 | CONTROL PANEL | 60001616-01 | | • | • | • | • | • | • | • | • | • | • | • | • | • | • | • | • | | | | |
| 0815 | P.C.B. (MAIN) | 60001897-03 | | • | • | • | • | • | • | • | • | • | • | • | • | • | • | • | • | | | | |
| 0816 | P.C.B. (DISPLAY) | 65111882-02 | | • | • | • | • | • | • | • | • | • | • | • | • | • | • | • | • | | | | |
| | P.C.B. (DISPLAY) | 65111883-02 | | | | | | | • | • | • | • | • | • | • | • | • | • | | | | | |
| 0822 | PUSH (CASE DOOR) | 65100676 | | • | • | • | • | • | • | • | • | • | • | • | • | • | • | • | • | | | | |
| 0823 | KNOB | 65111927 | | • | • | • | • | • | • | • | • | • | • | • | • | • | • | • | • | | | | |
| | KNOB | 65111928 | | | | | | | • | • | • | • | • | • | • | • | • | • | | | | | |
| 0824 | CONTROL PANEL COVER (REAR) | 60001617 | | • | • | • | • | • | • | • | • | • | • | • | • | • | • | • | • | | | | |
| 0825 | PRESSURE GAUGE | 65104234 | | • | • | • | • | • | • | • | • | • | • | • | • | • | • | • | • | | | | |
| 0828 | FRONT COVER | 65104306 | | • | • | • | • | • | • | • | • | • | • | • | • | • | • | • | • | | | | |
| 0836 | SHIELD | 65111886 | | • | • | • | • | • | • | • | • | • | • | • | • | • | • | • | • | | | | |
| 0851 | FRONT CONTROL PANEL COMPLETE | 65111887 | | • | • | • | • | • | • | • | • | • | • | • | • | • | • | • | • | | | | |
| | FRONT CONTROL PANEL COMPLETE | 65111888 | | | | | | | • | • | • | • | • | • | • | • | • | • | | | | | |
| | FRONT CONTROL PANEL COMPLETE | 65111889 | | | | | | | | | | | | • | • | • | • | • | | | | | |
| 0856 | CABLE CLAMP | 65103377 | | • | • | • | • | • | • | • | • | • | • | • | • | • | • | • | • | | | | |
| 0879 | BOILER THERMISTOR TEMP. SENSOR | 60000454 | | | | | | | | | | | | • | • | • | • | • | | | | | |
| 0880 | 3-WAY VALVE CABLE | 60001621 | | • | • | • | • | • | • | • | • | • | • | • | • | • | • | • | • | | | | |
| | CABLE (IONIZATION ELECTRODE) | 60001883 | | • | • | • | • | • | • | • | • | • | • | • | • | • | • | • | • | | | | |
| | CABLE (IONIZATION ELECTRODE) | 65104518 | | • | • | • | • | • | • | • | • | • | • | • | • | • | • | • | • | | | | |
| | DISPLAY WIRING - 5 WIRES BLUES | 60000746 | | • | • | • | • | • | • | • | • | • | • | • | • | • | • | • | • | | | | |
| | EARTH WIRE | 65104286 | | • | • | • | • | • | • | • | • | • | • | • | • | • | • | • | • | | | | |
| | FAN CABLE | 60001892 | | | | • | • | • | • | • | • | • | • | • | • | • | • | • | • | | | | |
| | FAN CABLE | 60001902 | | | | | | | | | | • | • | • | • | • | • | • | | | | | |
| | FEEDER 240V | 60001619 | | • | • | • | • | • | • | • | • | • | • | • | • | • | • | • | • | | | | |
| | FLOW METER - PRESSURE SENSOR CABLE | 60001620 | | • | • | • | • | • | • | • | • | • | • | • | • | • | • | • | • | | | | |
| | INTERCONNECTION CABLE - 3 WIRES | 60001884 | | • | • | • | • | • | • | • | • | • | • | • | • | • | • | • | • | | | | |
| | NTC - PRES SWITCH CABLE | 60001889 | | | | • | • | • | • | • | • | • | • | • | • | • | • | • | • | | | | |
| | NTC - GAS VALVE CABLE | 60001885 | | • | • | • | • | • | • | • | • | • | • | • | • | • | • | • | • | | | | |
| | NTC PROBE - OVERHEAT THERMOSTAT CABLE | 60001900 | | • | • | • | • | • | • | • | • | • | • | • | • | • | • | • | • | | | | |
| | PUMP 2V CABLE 5M WILO | 65104520 | WILO | • | • | • | • | • | • | • | • | • | • | • | • | • | • | • | • | | | | |
| | PUMP 2V CABLE 6M WILO | 65109585 | WILO | | | | | | • | | | | | | | | | | | | | | |
| | PUMP CABLE 1V ENER+ | 60001887 | ENER + | | | | | | | • | • | • | | | | | | | | | | | |
| | TACHOMETER FAN CABLE | 60001893 | | | | • | • | • | • | • | • | • | • | • | • | • | • | • | • | | | | |
| 0881 | CONNECTOR 2P | 65111933 | | • | • | • | • | • | • | • | • | • | • | • | • | • | • | • | • | | | | |
| | CONNECTOR 3P (x5) | 65111934-01 | | • | • | • | • | • | • | • | • | • | • | • | • | • | • | • | • | | | | |
| 0900 | JIG PLATE & PIPE FITTING | | | | | | | | | | | | | | | | | | | | | | |
| 0903 | HOT WATER CONNECTION | 60000891 | | • | • | • | • | • | • | • | • | • | • | • | • | • | • | • | • | | | | |
| 0904 | GAS SERVICE TAP | 60000898 | | • | • | • | • | • | • | • | • | • | • | • | • | • | • | • | • | | | | |
| 0905 | COLD WATER TAP | 60000895 | | • | • | • | • | • | • | • | • | • | • | • | • | • | • | • | • | | | | |
| 0906 | WATER FLOW & RETURN SERVI. TAP | 60000885 | | • | • | • | • | • | • | • | • | • | • | • | • | • | • | • | • | | | | |
| 0910 | WALL HOOK | 60000625 | | • | • | • | • | • | • | • | • | • | • | • | • | • | • | • | • | | | | |
| | WALL HOOK | 60000852 | | • | • | • | • | • | • | • | • | • | • | • | • | • | • | • | • | | | | |
| 0917 | SHEET GASKET D: 24-17-1.5 | 60061855-19 | | • | • | • | • | • | • | • | • | • | • | • | • | • | • | • | • | | | | |
| 0939 | SHEET GASKET D: 16.5-11-1.5 | 60061854-14 | | • | • | • | • | • | • | • | • | • | • | • | • | • | • | • | • | | | | |
| 5000 | ACCESSORIES | | | | | | | | | | | | | | | | | | | | | | |
| 5001 | BURNER JET FULL KIT (LPG) | 65104582-01 | | | | | • | | | | | | • | | | | • | | | | | | |
| | BURNER JET FULL KIT (LPG) | 65105166 | | | | | | • | • | | | | | | | | | • | | | | | |
| | BURNER JET FULL KIT (LPG) | 65106690-01 | | • | • | | | | • | • | | • | • | • | | | | | | | | | |
| | BURNER JET FULL KIT (LPG) | 65106695-01 | | | • | | | | | • | | | | • | | | | | | | | | |
| 5002 | BURNER JET FULL KIT (NG) | 65104583-01 | | | | | • | • | • | | | | • | | | | • | • | | | | | |
| | BURNER JET FULL KIT (NG) | 65106691-01 | | • | • | • | | | • | • | • | • | • | • | • | | | | | | | | |
| 5020 | ROD PLATE | 65114473 | | • | | • | • | | | | | | | | | | | | | | | | |

LIST OF THE ABBREVIATIONS

| | |
|-------------|--|
| HW | : Hot water. |
| CW | : Cold water. |
| C | : Ceramic resistance (normal heating). |
| Ca | : Ceramic resistance (accelerated heating) |
| TP | : Immersion heater. |
| 1F | : With fittings. |
| 2F | : Without fittings. |
| 3F | : With fittings and another outlet connection. |
| AMI | : With mixing valve. |
| SMI | : Without mixing valve. |
| PUISS | : Power of th appliance. |
| PN | : Appliance with normal pression. |
| LP | : Appliance with low pression. |
| PV | : Appliance with variable power. |
| PF | : Appliance with fixed power. |

IDENTIFICATION PLATE

SERIAL NUMBER

| | | |
|-----------------------------|---------------------------|-----------------------------------|
| 10 Characters : | 04 05 125 011 | Sequential number |
| | | Manufacturing day |
| | | Year of manufacture |
| 11 Characters : | 1 95 065004 - 31 | Technical number of the appliance |
| Month of manufacture : | | Sequential number |
| from 1 to 9 → Jan. to Sep., | | Year of manufacture |
| O → Oct., N → Nov., | | |
| D → Dec. | | |
| 19 Characters : | 08 05 0013199 900640031 | Product reference |
| Year of manufacture | | Sequential number |
| Month of manufacture | | |
| 20 Characters : | 3675007 XX 2 07 070 00315 | Sequential number |
| Product reference | | Manufacturing day |
| Millenium of manufacture | | Year of manufacture |
| 21 Characters : | 3675007 XX 07 070 0000315 | Sequential number |
| Product reference | | Manufacturing day |
| Year of manufacture | | |