



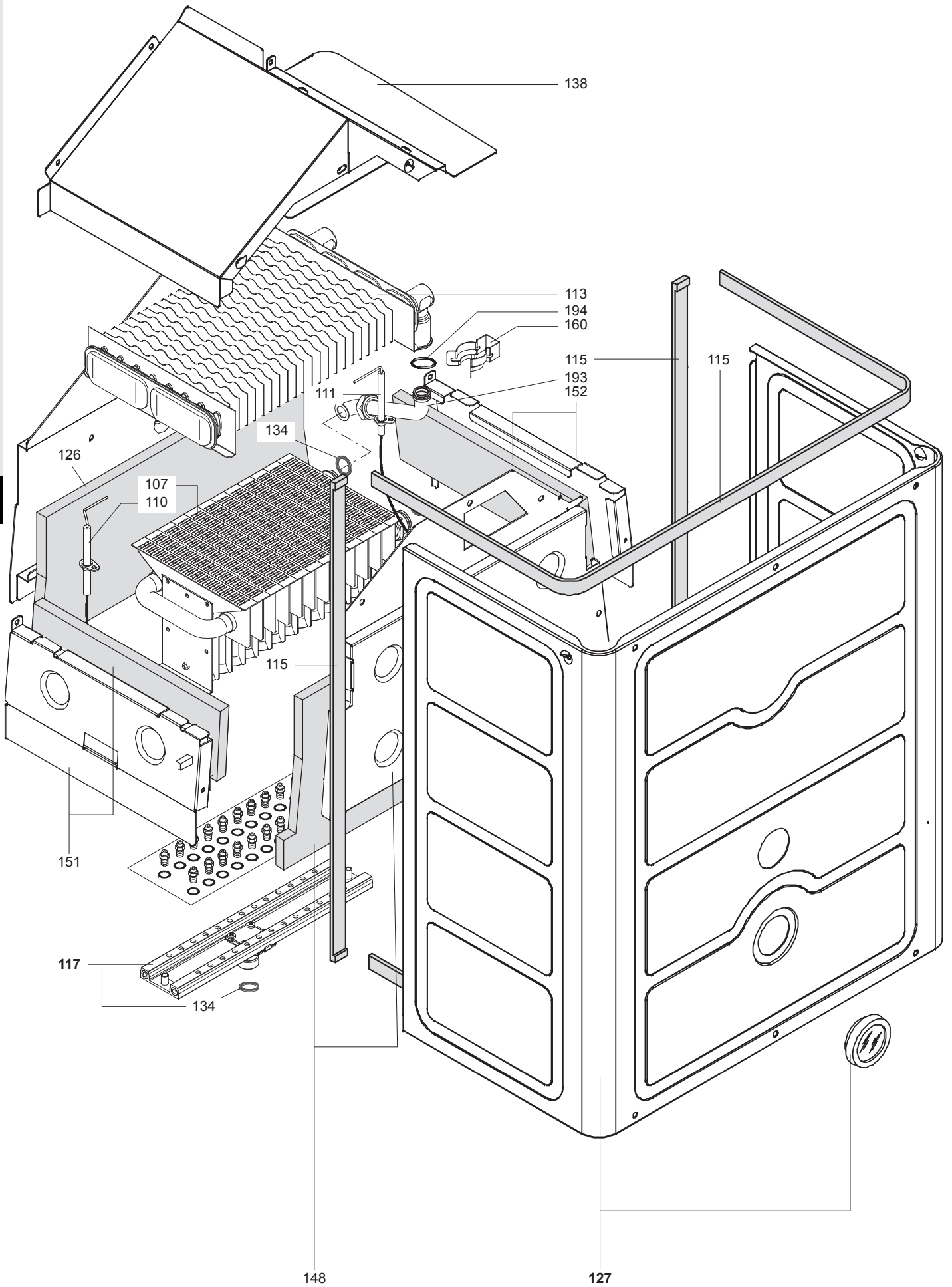
SPARE PARTS EXPLODED VIEW  
GAS WALL BOILERS

Model

**EGIS NOX**

R8216841-01 - 11/07/2012

1	3300550	EGIS NOX 24 FF NG		
2	3300552	EGIS NOX 24 FF LPG		
3	3300551	EGIS NOX 28 FF NG		
Col	Reference	Model type	Begin	End

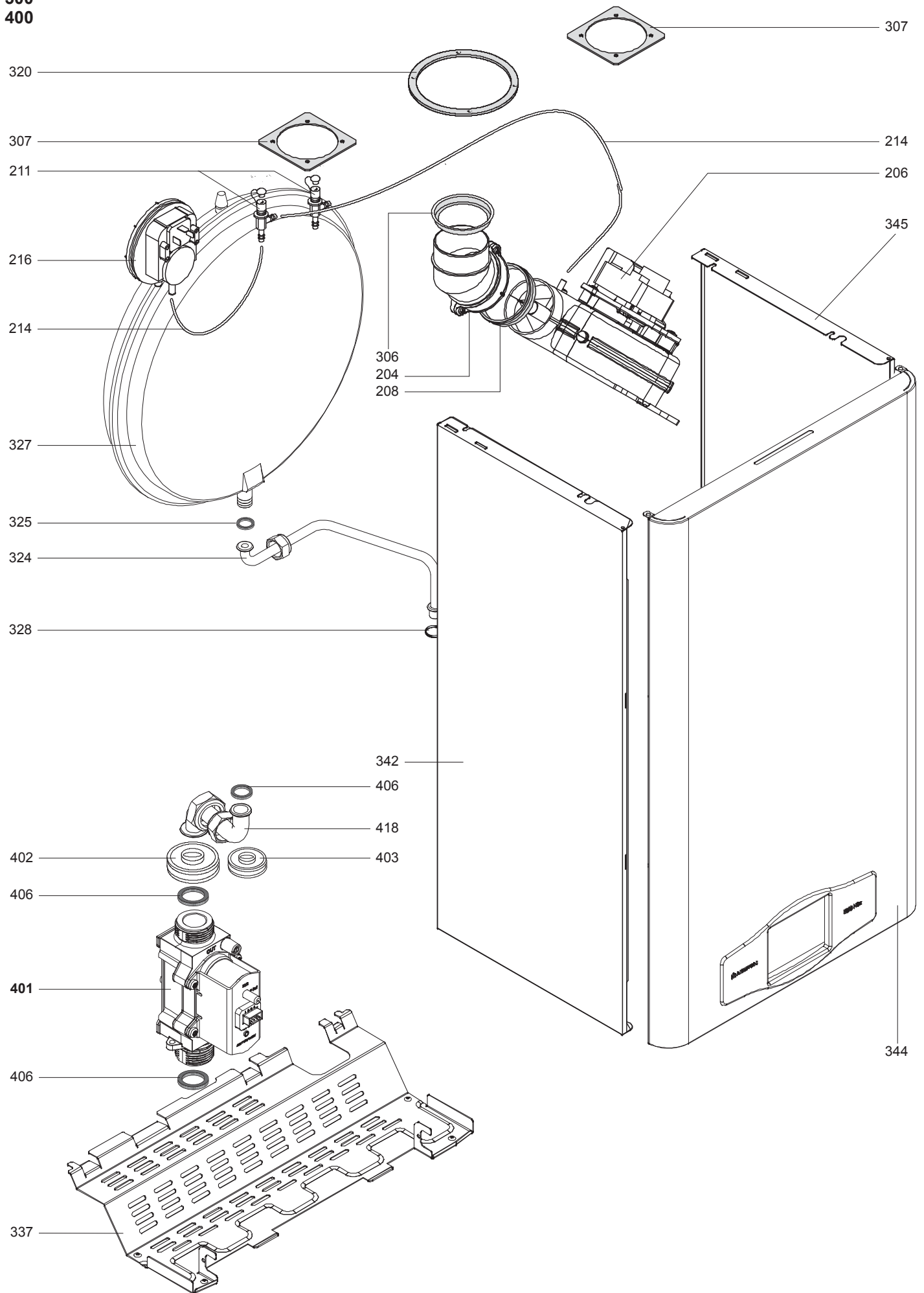


☰	Description	Manf. Pt. N	Type	<div style="display: flex; justify-content: space-between; align-items: center;"> <div style="transform: rotate(-45deg); font-size: small;">EGIS NOX 24 FF NG</div> <div style="transform: rotate(-45deg); font-size: small;">EGIS NOX 24 FF PG</div> <div style="transform: rotate(-45deg); font-size: small;">EGIS NOX 28 FF NG</div> </div>																		31
				1	2	3	4	5	6	7	8	9	10	11	12	13	14	15	16	17	18	
0100	SEALED CASE																					
0107	BURNER	65109593					●															
	BURNER	65110363		●	●																	
0110	ELECTRODE (IGNITION)	65108806		●	●	●																
0111	ELECTRODE (DETECTION)	65109524		●	●	●																
0113	MAIN EXCHANGER	65110947				●																
	MAIN EXCHANGER	65110955		●	●																	
0115	SEALS KIT (SEALED COMB.CHAMBER)	65108294		●	●	●																
0117	GAS MANIFOLD	65108914		●	●																	
	GAS MANIFOLD	65108919				●																
0126	PANEL (INSULATION - REAR)	65111455		●	●																	
	PANEL (INSULATION - REAR)	65111456				●																
0127	PANEL (COMBUSTION CHAMBER - FRONT)	65110964		●	●	●																
0134	GASKET	65109461		●	●	●																
0138	FLUE HOOD	65110957		●	●																	
	FLUE HOOD	65110958				●																
0148	FRONT PANEL	65111452		●	●																	
	FRONT PANEL	65111453				●																
0151	PANEL - L/H COMBUSTION CHAMBER	65111454		●	●	●																
0152	PANEL (R/H - COMBUSTION CHAMBER)	65110959		●	●	●																
0160	CLIP	65103783		●	●	●																
0193	PIPE (BURNER TO EXCHANGER)	65110949		●	●	●																
0194	O-RING 2.62X17.86	65107621		●	●	●																

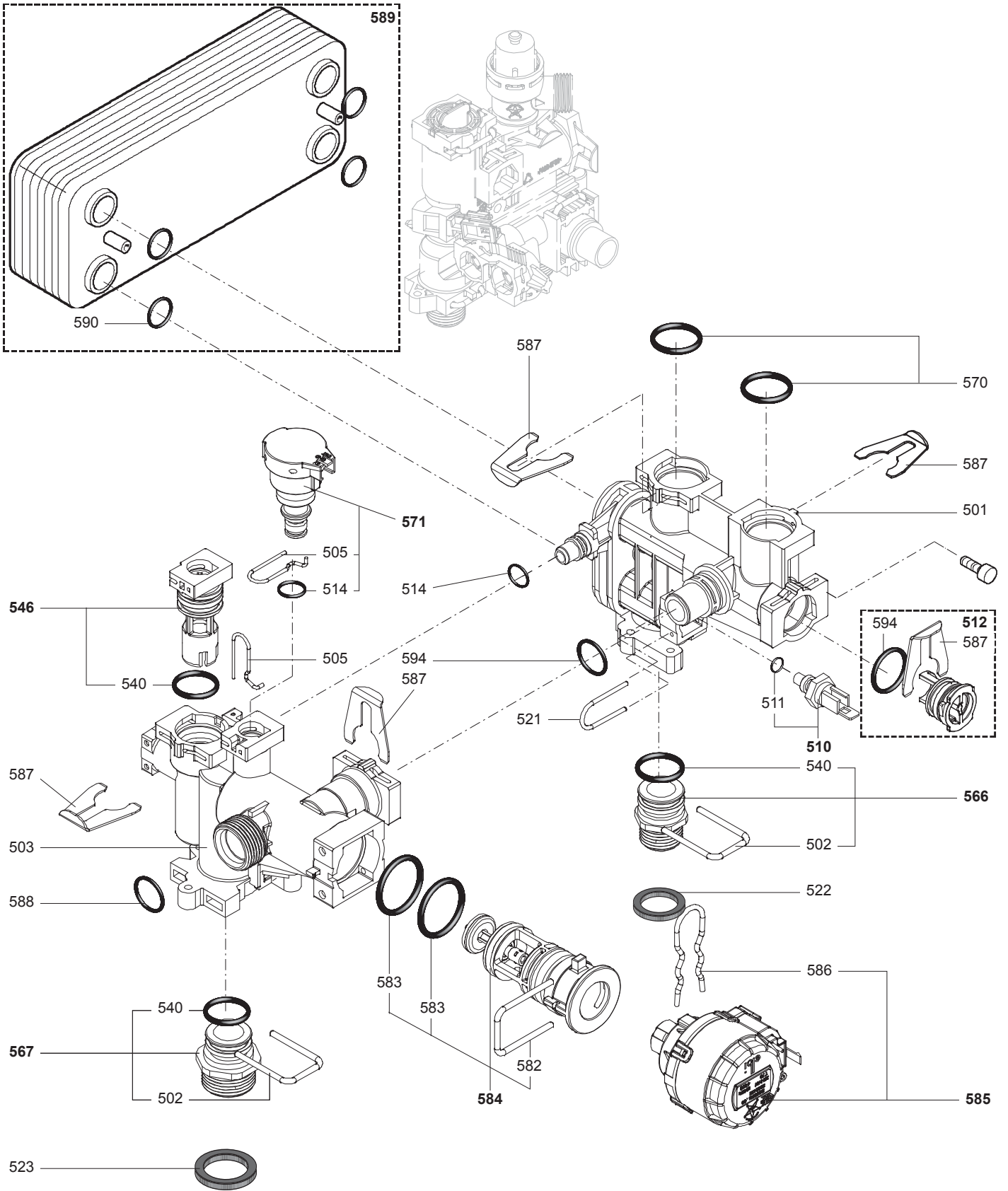
200  
300  
400

EGIS NOx

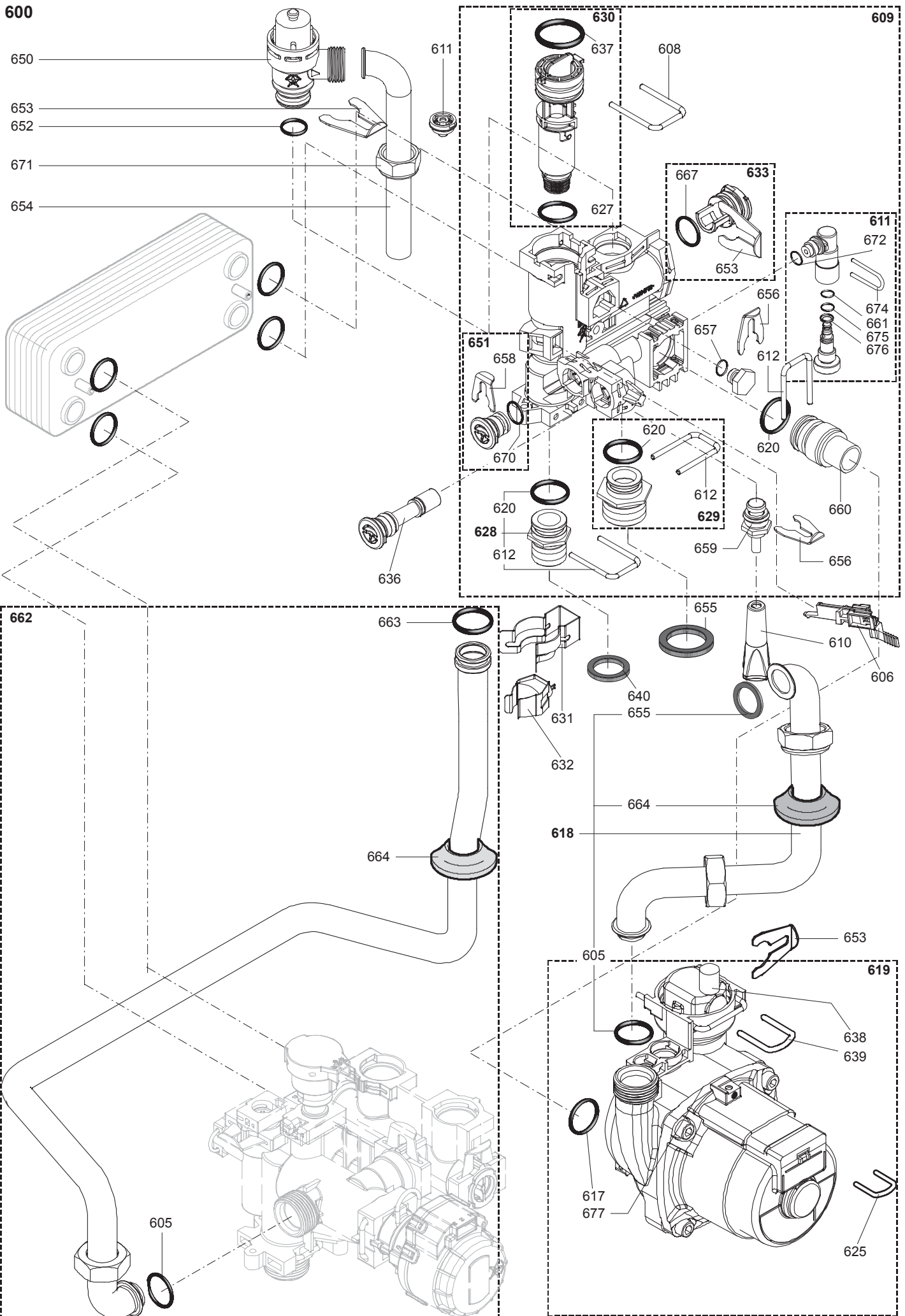
Domestic Gas Boilers



☉⇒	Description	Manf. Pt. N	Type	<div style="display: flex; justify-content: space-between; align-items: center;"> <div style="transform: rotate(-45deg); font-size: small;">EGIS NOX24 FF NG</div> <div style="transform: rotate(-45deg); font-size: small;">EGIS NOX24 FF LPG</div> <div style="transform: rotate(-45deg); font-size: small;">EGIS NOX28 FF NG</div> </div>																		31
				1	2	3	4	5	6	7	8	9	10	11	12	13	14	15	16	17	18	
<b>0200</b>	<b>FAN ASSEMBLY</b>																					
0204	FLUE (EXHAUST MANIFOLD / HEADER)	65109496		•	•	•																
0206	FAN	65110952		•	•																	
	FAN	65110956				•																
0208	GASKET (FAN)	65109495		•	•	•																
0211	Y PIECE (AIR PRESSURE)	65110946		•	•	•																
0214	COMPENSATION TUBE	65109497		•	•	•																
0215	COMPENSATION TUBE	65102405		•	•	•																
0216	AIR PRESSURE SWITCH	65111457				•																
	AIR PRESSURE SWITCH	65111458		•	•																	
<b>0300</b>	<b>CHASSIS-FRONT CASE</b>																					
0306	RESTRICTOR (D=47)	65109508		•	•	•																
	RESTRICTOR (D=41)	65109509		•	•	•																
	RESTRICTOR (D=41)	65109510		•	•	•																
0307	GASKET (AIR RETURN COVER)	65109505		•	•	•																
0320	GASKET (FLUE COLLAR)	65109506		•	•	•																
0324	PIPE (EXPANSION VESSEL)	65110948		•	•	•																
0325	GASKET 3/8	573521		•	•	•																
0327	EXPANSION VESSEL	65107606		•	•	•																
0328	O-RING 2.62X9.92	65108279		•	•	•																
0337	HYDRAULIC GROUP SUPPORT	65110954		•	•	•																
0344	PANEL (FRONT CASE)	65110953		•	•	•																
0345	CASE PANEL - SIDE	65108288		•	•	•																
<b>0400</b>	<b>GAS SECTION</b>																					
0401	GAS VALVE	65108428		•	•	•																
0402	PASS-PIPE GASKET	65109470		•	•	•																
0403	PASSCABLE GASKET	65109471		•	•	•																
0406	GASKET	65109461		•	•	•																
0414	SILICONE SEAL	65109467		•	•	•																
0418	PIPE (GAS VALVE/BURNER)	65109002		•	•	•																

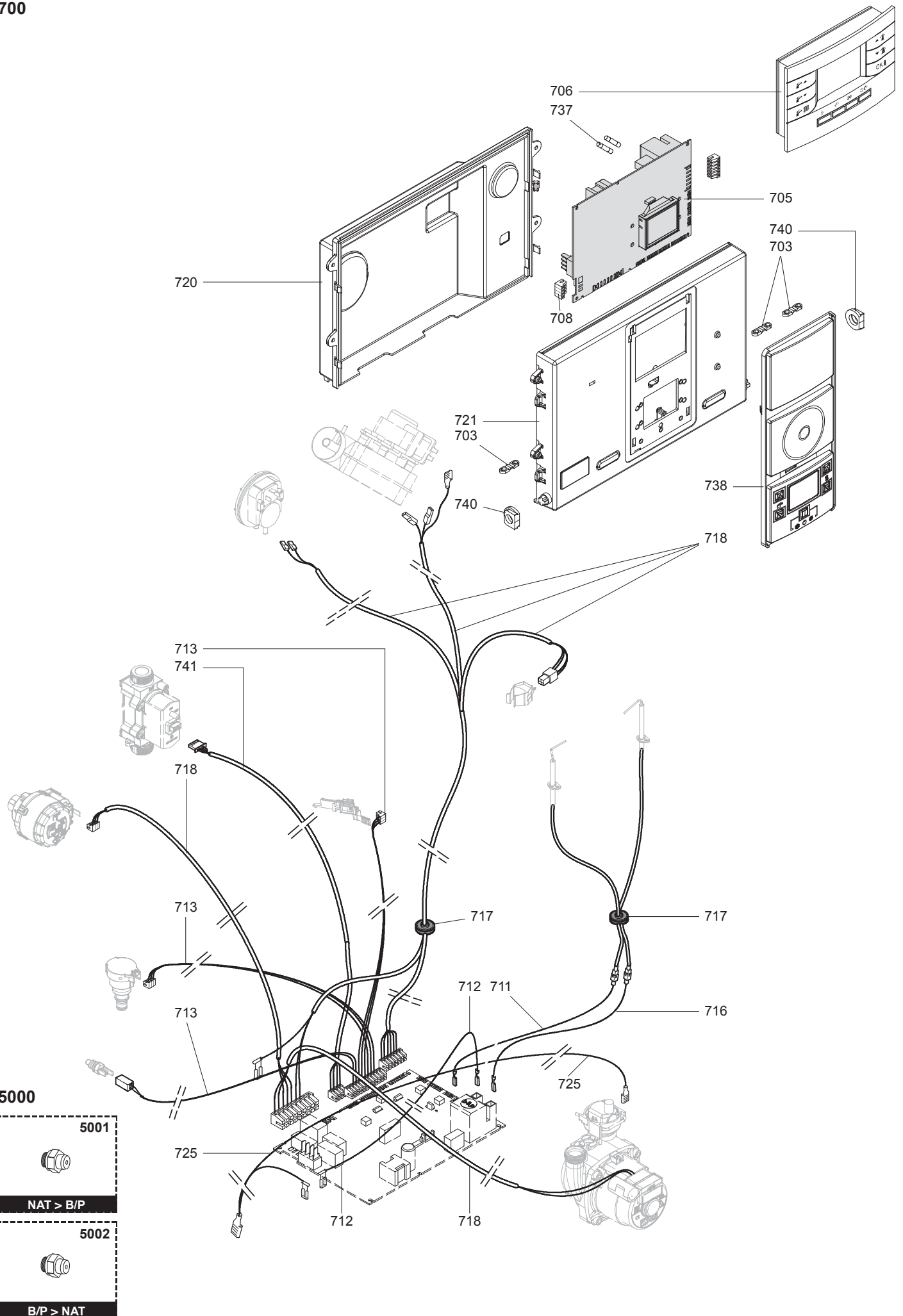








☉⇒	Description	Manf. Pt. N	Type	<div style="display: flex; justify-content: space-between; align-items: center;"> <div style="transform: rotate(-45deg); font-size: small;">EGIS NOx24 FF NG</div> <div style="transform: rotate(-45deg); font-size: small;">EGIS NOx24 FF LPG</div> <div style="transform: rotate(-45deg); font-size: small;">EGIS NOx28 FF NG</div> </div>																		31
				1	2	3	4	5	6	7	8	9	10	11	12	13	14	15	16	17	18	
0600	RETURN GROUP																					
0605	O-RING	65109463		•	•	•																
0606	SENSOR (REED)	65110933		•	•	•																
0608	CLIP	65104316		•	•	•																
0609	RETURN GROUP	65110941		•	•	•																
0610	FILLING TAP KNOB	65110937		•	•	•																
0611	RIDUCTORS (KIT)	65110935		•	•	•																
0612	U-CLIP	65108291		•	•	•																
0617	GASKET	65109464		•	•	•																
0618	PIPE (C.H. RETURN)	65110950		•	•	•																
0619	PUMP	65110944		•	•	•																
0620	O - RING (15.88X2.62)	65104337		•	•	•																
0625	U-CLIP	65110936		•	•	•																
0627	O-RING 1.78X15.60	65110934		•	•	•																
0628	UNION (1/2)	65108292		•	•	•																
0629	UNION (3/4)	65108392		•	•	•																
0630	FLOW METER	65110940		•	•	•																
0631	CLIP	65103783		•	•	•																
0632	TEMPERATURE PROBE + CLIP	65110942		•	•	•																
0636	CHECK VALVE CARTRIDGE	65110939		•	•	•																
0637	O-RING	65109437		•	•	•																
0638	AUTO AIR VENT + O-RING	65109409		•	•	•																
0639	CLIP	65109411		•	•	•																
0640	SILICONE SEAL	65109467		•	•	•																
0650	SAFETY VALVE	65110931		•	•	•																
0651	PLUG	65110938		•	•	•																
0652	O-RING 2.62 X 15.88	65111505		•	•	•																
0653	CLIP	65109410		•	•	•																
0654	PIPE	65103451		•	•	•																
0655	GASKET	65109461		•	•	•																
0656	U-CLIP	65111503		•	•	•																
0657	SEALS KIT (SEALED COMB.CHAMBER)	65108294		•	•	•																
0658	CLIP D:10	65104260		•	•	•																
0659	FILLING TAP KIT	65104051		•	•	•																
0660	UNION (3/4)	65110932		•	•	•																
0661	O-RING 2.9 X 1.78	65111507		•	•	•																
0662	PIPE (C.H. FLOW)	65110951		•	•	•																
0663	O-RING 2.62X17.86	65107621		•	•	•																
0664	PASS-PIPE GASKET	65109470		•	•	•																
0667	O-RING 2.62 X 15.54	65108697		•	•	•																
0670	O - RING (9.19X2.62)	65104313		•	•	•																
0671	NUT	65102403		•	•	•																
0672	O-RING	65109444		•	•	•																
0673	DRAIN VALVE	65109445		•	•	•																
0674	U-CLIP	65109441		•	•	•																
0675	O-RING 1.78X3.69	65104453		•	•	•																
0676	O-RING 1.78 X 6.07	65111502		•	•	•																
0677	GASKET	65108289		•	•	•																





## LIST OF THE ABBREVIATIONS

HW .....	: Hot water.
CW .....	: Cold water.
C .....	: Ceramic resistance (normal heating).
Ca .....	: Ceramic resistance (accelerated heating)
TP .....	: Immersion heater.
1F .....	: With fittings.
2F .....	: Without fittings.
3F .....	: With fittings and another outlet connection.
AMI .....	: With mixing valve.
SMI .....	: Without mixing valve.
PUISS .....	: Power of th appliance.
PN .....	: Appliance with normal pression.
LP .....	: Appliance with low pression.
PV .....	: Appliance with variable power.
PF .....	: Appliance with fixed power.

## IDENTIFICATION PLATE

### SERIAL NUMBER

10 Characters :

04 05 125 011  
 Year of manufacture    Manufacturing day    Sequential number

11 Characters :

1 95 065004 - 31  
 Month of manufacture :    Technical number of the appliance  
 from 1 to 9 → Jan. to Sep.,  
 O → Oct., N → Nov.,  
 D → Dec.    Sequential number  
 Year of manufacture

19 Characters :

08 05 0013199 900640031  
 Year of manufacture    Product reference  
 Month of manufacture    Sequential number

20 Characters :

3675007 XX 2 07 070 00315  
 Product reference    Sequential number  
 Millenium of manufacture    Manufacturing day  
 Year of manufacture

21 Characters :

3675007 XX 07 070 0000315  
 Product reference    Sequential number  
 Year of manufacture    Manufacturing day