



ARISTON

SPARE PARTS EXPLODED VIEW GAS-WALL CONDENSING BOILERS

Model

EGIS PREMIUM - MATIS CONDENS

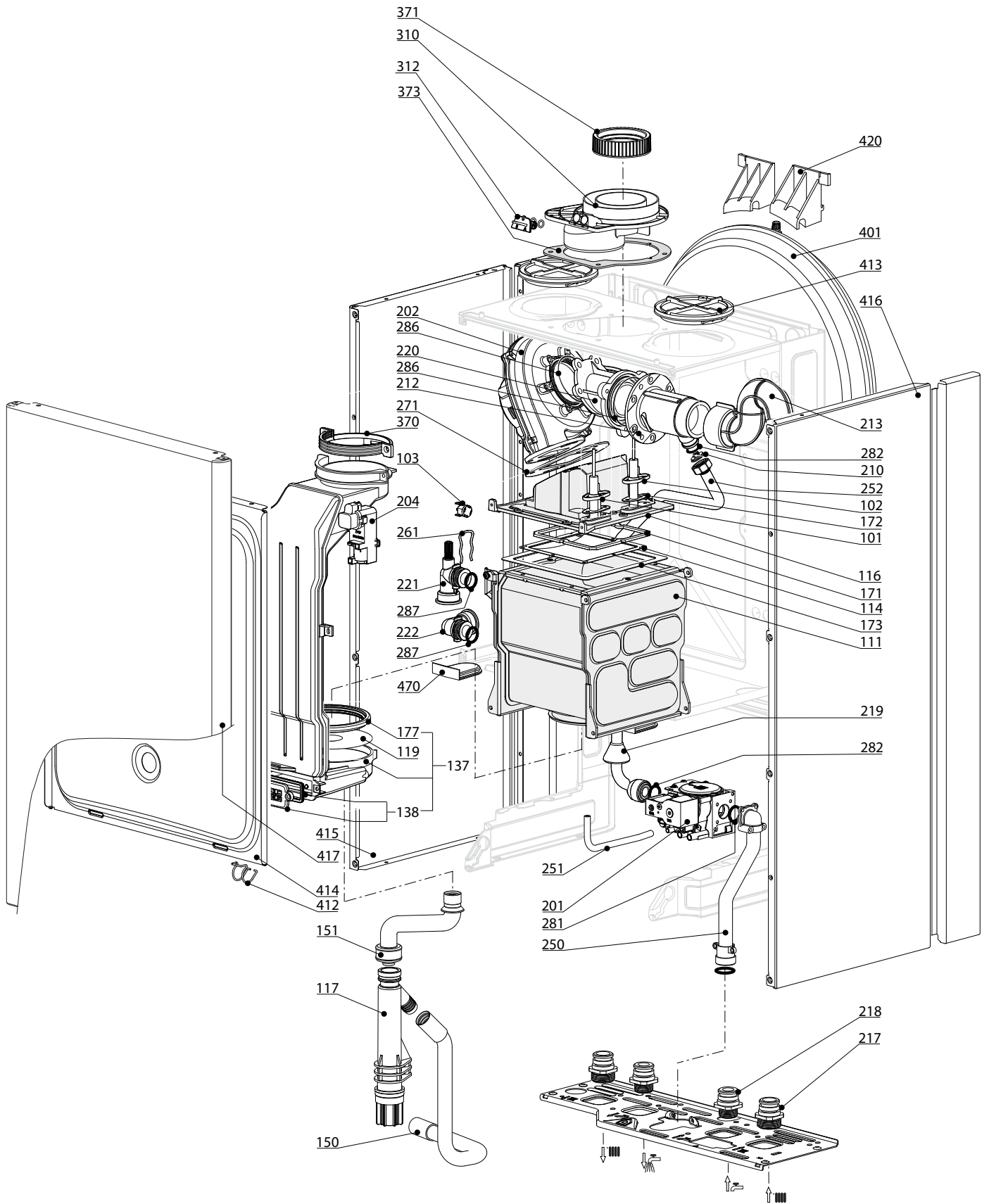
R8203323-05 - 21/12/2015

EGIS PREMIUM - MATIS CONDENS

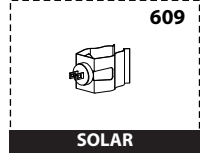
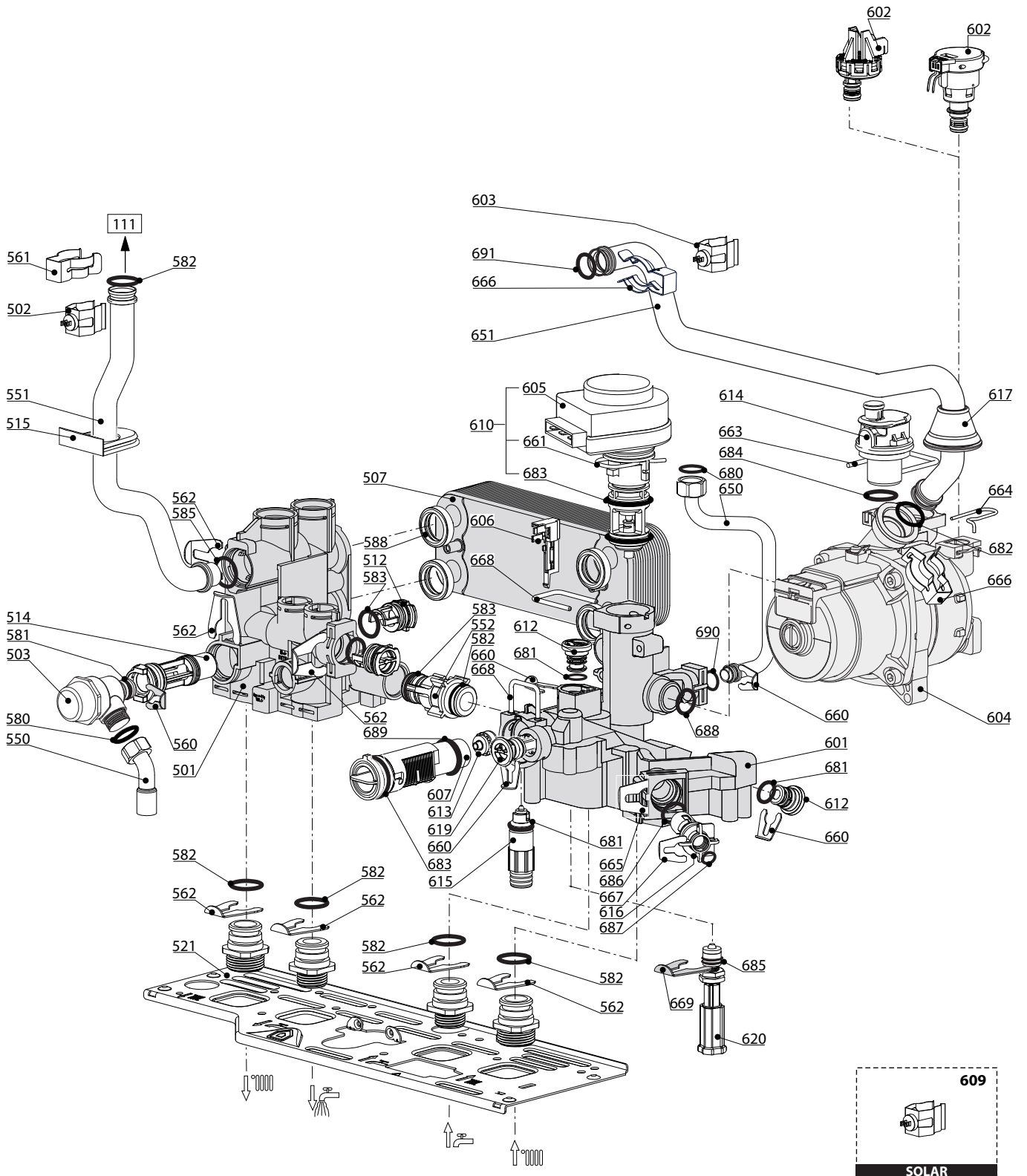
Gas-wall condensing boilers

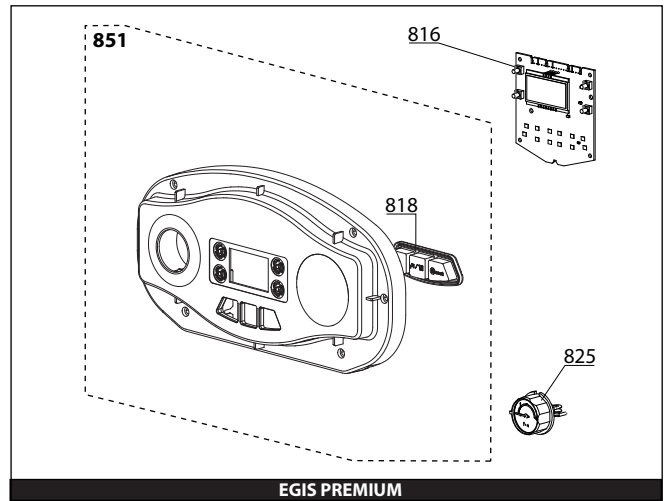
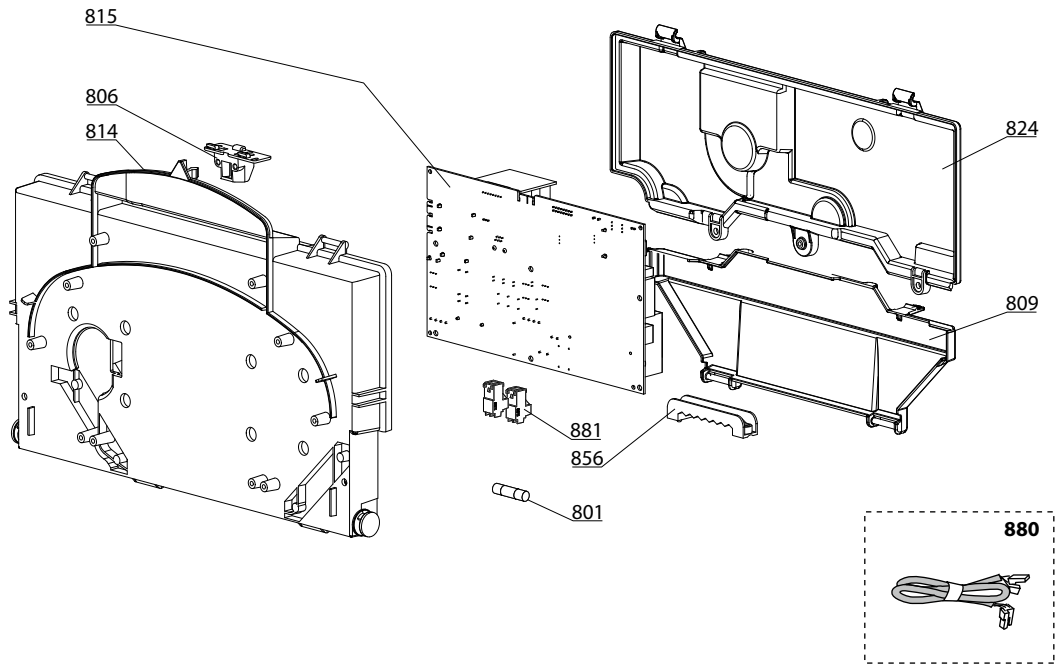
1	3300414	EGIS PREMIUM 24 NG	10-2011	-
2	3300436	EGIS PREMIUM 30 NG	10-2011	-
3	3300589	MATIS CONDENS 24 NG	02-2014	08-2015
4	3300712	MATIS CONDENS 24 NG EU	03-2015	-
5	3300766	MATIS CONDENS 30 EU		

Col	Reference	Model type	Begin	End
-----	-----------	------------	-------	-----

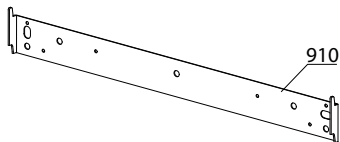


☉→	Description	Manf. Pt. N	Type	<div style="display: flex; justify-content: space-between; align-items: center;"> <div style="writing-mode: vertical-rl; transform: rotate(180deg); font-size: small;"> EGIS PREMIUM 24 EGIS PREMIUM 30 MATIS CONDENS 24 MATIS CONDENS 24 EU MATIS CONDENS 30 EU </div> <div style="border: 1px solid black; padding: 2px; font-weight: bold; font-size: 1.2em;">31</div> </div>																		From	to
				1	2	3	4	5	6	7	8	9	10	11	12	13	14	15	16	17	18		
0100	BURNER ASSEMBLY																						
0101	IGNITION ELECTRODE	60001872		•	•	•	•	•															
0102	IONIZATION ELECTRODE	60001873		•	•	•	•	•															
0103	OVERHEAT THERMOSTAT 95C	61008586		•	•	•	•	•															
0111	EXCHANGER 24KW	60001865		•		•	•																
	EXCHANGER 30KW	60001288			•			•															
0114	BURNER 24KW	60001851		•		•	•																
	BURNER 30KW	60001289			•			•															
0116	CONDENSER COVER 24KW	60001866		•		•	•																
	CONDENSER COVER 30KW	60001290			•			•															
0117	TRAP	60000987		•	•	•	•	•															
0119	RESTRICTOR D: 30	60001858		•		•	•																
	RESTRICTOR D: 37	60001291			•			•															
0137	FLUE DUCT FIRST SECTION	60001854		•	•	•	•	•															
0138	COVER	60001855		•	•	•	•	•															
0150	TUBE PVC D:19 L:500	60000976		•	•	•	•	•															
0151	FLEXIBLE PIPE	60001876		•	•	•	•	•															
0171	GASKET (/COVER 24KW)	60001863		•		•	•																
	GASKET (/COVER 30KW)	60001292			•			•															
0172	GASKET (IGNITION ELECTRODE)	60000286-01		•	•	•	•	•															
0173	GASKET (/Burner 24KW)	60001864		•		•	•																
	GASKET (/Burner 30KW)	60001293			•			•															
0177	GASKET (/Heat exchanger)	60001874		•	•	•	•	•															
0200	GAS SECTION																						
0201	GAS VALVE	60001612		•	•	•	•	•															
0202	FAN ASSY	60001869		•	•	•	•	•															
0204	IGNITER	60001871		•	•	•	•	•															
0210	GAS RESTRICTOR D: 4.70	60001950		•		•	•																
	GAS RESTRICTOR D: 5.70	60001940			•			•															
0212	VENTURI D: 17MM	60001941		•		•	•																
	VENTURI D: 25MM	60001942			•			•															
0213	SILENCER	60001852		•	•	•	•	•															
0217	UNION (3/4»)	65104326		•	•	•	•	•															
0218	UNION (1/2»)	65104327		•	•	•	•	•															
0219	RUBBER	65103362		•	•	•	•	•															
0220	GAS CONNECTION	60001862		•	•	•	•	•															
0221	HEATING FLOW CONNECTION	60001868-01		•	•	•	•	•															
0222	HEATING RETURN CONNECTION	60001867-01		•	•	•	•	•															
0250	GAS TUBE	60001614		•	•	•	•	•															
0251	SILICONE PIPE	60001613		•	•	•	•	•															
0252	GAS TUBE	60001860		•	•	•	•	•															
0261	CLIP D:18	60001879		•	•	•	•	•															
0271	GASKET	60001870		•	•	•	•	•															
0281	O-RING 22.22X2.62	65104304		•	•	•	•	•															
0282	SHEET GASKET D: 24-18.2-1.5	60022835-01		•	•	•	•	•															
0286	GASKET	60001878		•	•	•	•	•															
0287	O-RING D: 20.22-3.53	60001880		•	•	•	•	•															
0300	FAN ASSEMBLY																						
0310	BI FLUX CONNECTION	60001857		•	•	•	•	•															
0312	FLUE INTAKE PLUG	65104295		•	•	•	•	•															
0370	GASKET (/Connection)	60001875		•	•	•	•	•															
0371	GASKET	60000316		•	•	•	•	•															
0373	GASKET	60000317		•	•	•	•	•															
0400	SEALED CASE																						
0401	EXPANSION VESSEL 8L	65104261		•	•	•	•	•															
0412	SPRING FRONT PANEL (KIT)	65107048		•	•	•	•	•															
0413	AIR RETURN COVER	65104249		•	•	•	•	•															
0414	PANEL (FRONT - SEALED CHAMBER)	65105678-02		•	•	•	•	•															
0415	CASE PANEL (L.H. SIDE)	65105676		•	•	•	•	•															
0416	CASE PANEL (R.H. SIDE)	65105677		•	•	•	•	•															
0417	CASE PANEL (FRONT)	60001604		•	•	•	•	•															
0420	EXPANSION VESSEL SUPPORT	65104696		•	•	•	•	•															
0470	GROMMET	60000807		•	•	•	•	•															
0471	CABLE INLET RUBBER WASHER	60000541		•	•	•	•	•															





900



5000

- 5020**
Options
Accessories
Opzioni
Accessorio

☉	Description	Manf. Pt. N	Type	<div style="display: flex; justify-content: space-between; padding: 0;"> <div style="writing-mode: vertical-rl; transform: rotate(180deg); font-size: small; margin: 0 5px;">EGIS PREMIUM 24</div> <div style="writing-mode: vertical-rl; transform: rotate(180deg); font-size: small; margin: 0 5px;">EGIS PREMIUM 30</div> <div style="writing-mode: vertical-rl; transform: rotate(180deg); font-size: small; margin: 0 5px;">MATIS CONDENS 24</div> <div style="writing-mode: vertical-rl; transform: rotate(180deg); font-size: small; margin: 0 5px;">MATIS CONDENS 24 EU</div> <div style="writing-mode: vertical-rl; transform: rotate(180deg); font-size: small; margin: 0 5px;">MATIS CONDENS 30 EU</div> </div>																		From	to
				1	2	3	4	5	6	7	8	9	10	11	12	13	14	15	16	17	18		
0800	ELECTRICAL BOX																						
0801	FUSE 250V 2A	61003456		•	•	•	•																
0806	PUSH	65104228		•	•	•	•																
0809	INSPECTION COVER	60001618		•	•	•	•																
0814	CONTROL PANEL	60001616-01		•	•	•	•																
0815	P.C.B. (MAIN)	60001898-03						•	•														
	P.C.B. (MAIN)	60001899-02		•	•																		
0816	P.C.B. (DISPLAY)	60001606-02		•	•	•	•																
0818	PUSH BUTTON	60001607		•	•	•	•																
0824	CONTROL PANEL COVER (REAR)	60001617		•	•	•	•																
0825	PRESSURE GAUGE	65104234		•	•	•	•																
0851	CONTROL PANEL	60001608		•	•																		
	CONTROL PANEL	60002377						•	•	•													
0856	CABLE CLAMP	65103377		•	•	•	•																
0880	3-WAY VALVE CABLE	60001621		•	•	•	•																
	CABLE (IONIZATION ELECTRODE)	65104518		•	•	•	•																
	DISPLAY WIRING - 5 WIRES BLUES	60000746		•	•	•	•																
	EARTH WIRE	65104286		•	•	•	•																
	FAN CABLE	60001624		•	•	•	•																
	FEEDER 240V	60001619		•	•	•	•																
	FLOW METER - PRESSURE SENSOR CABLE	60001620		•	•	•	•																
	GAS VALVE CABLE	60001622		•	•	•	•																
	IGNITOR CABLE	60001818		•	•	•	•																
	NTC PROBE - OVERHEAT THERMOSTAT CABLE	60001623		•	•	•	•																
	PUMP 2V CABLE 5M WILO	65104520	WILO	•		•																	
	PUMP 2V CABLE 6M WILO	65109585	WILO		•																		
	PUMP CABLE 1V ENER+	60001887	ENER +					•	•														
0900	JIG PLATE & PIPE FITTING																						
0910	WALL HOOK	60000625		•	•	•	•																
5000	ACCESSORIES																						
5020	CLEANING KIT CONDENSING HEAT EXCHANGER	65112139		•	•	•	•																
	EXCHANGER GASKETS (KIT)	65112138		•	•	•	•																

LIST OF THE ABBREVIATIONS

HW	: Hot water.
CW	: Cold water.
C	: Ceramic resistance (normal heating).
Ca	: Ceramic resistance (accelerated heating)
TP	: Immersion heater.
1F	: With fittings.
2F	: Without fittings.
3F	: With fittings and another outlet connection.
AMI	: With mixing valve.
SMI	: Without mixing valve.
PUISS	: Power of th appliance.
PN	: Appliance with normal pression.
LP	: Appliance with low pression.
PV	: Appliance with variable power.
PF	: Appliance with fixed power.

IDENTIFICATION PLATE

SERIAL NUMBER

10 Characters :	04 05 125 011		
		Sequential number	
		Manufacturing day	
		Year of manufacture	
11 Characters :	1 95 065004 - 31		
Month of manufacture :		Technical number of the appliance	
from 1 to 9 → Jan. to Sep.,		Sequential number	
O → Oct., N → Nov.,		Year of manufacture	
D → Dec.			
19 Characters :	08 05 0013199 900640031		
Year of manufacture		Product reference	
Month of manufacture		Sequential number	
20 Characters :	3675007 XX 2 07 070 00315		
Product reference		Sequential number	
Millenium of manufacture		Manufacturing day	
		Year of manufacture	
21 Characters :	3675007 XX 07 070 0000315		
Product reference		Sequential number	
Year of manufacture		Manufacturing day	