

## SPARE PARTS EXPLODED VIEW GAS WALL BOILERS

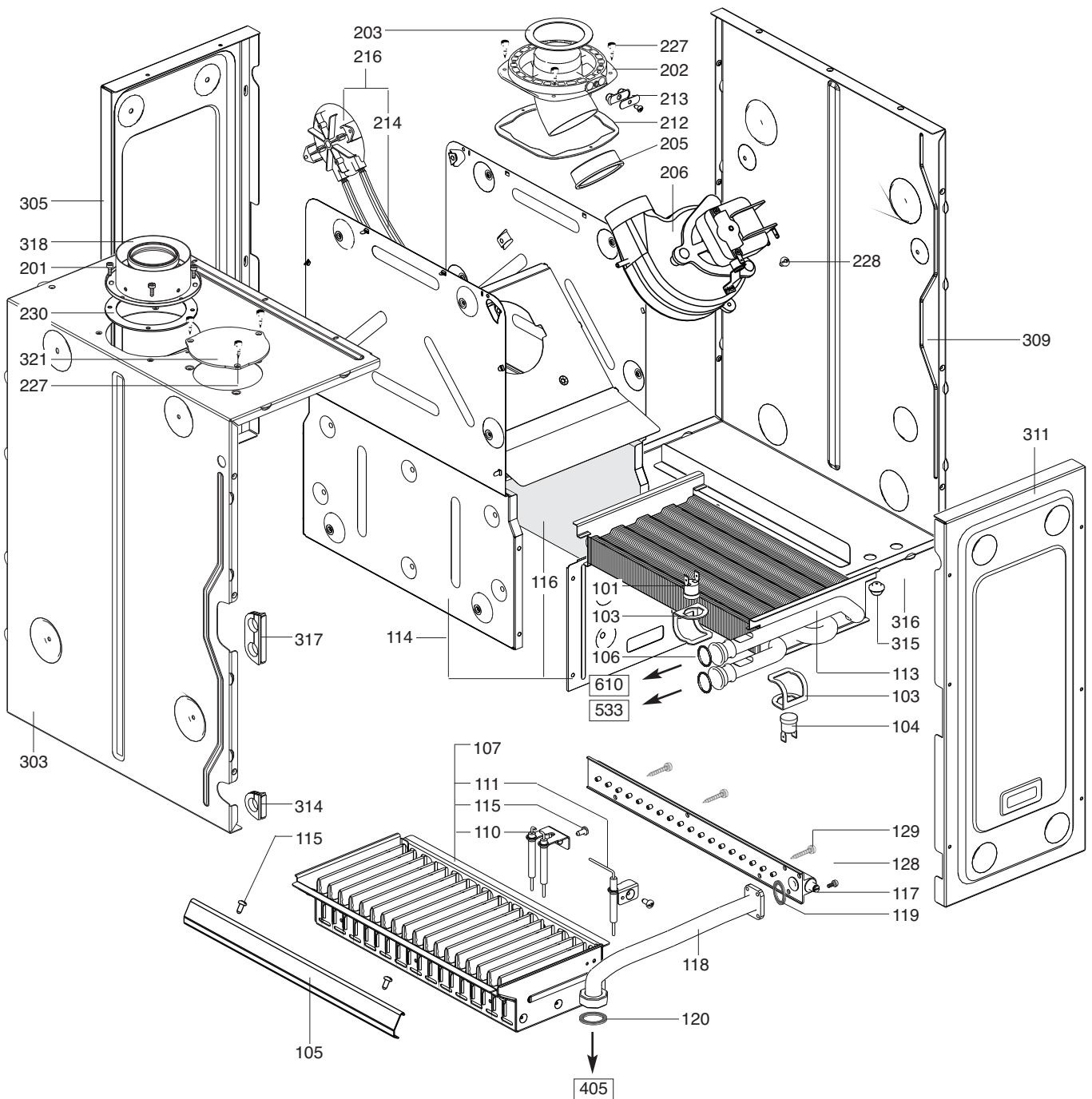
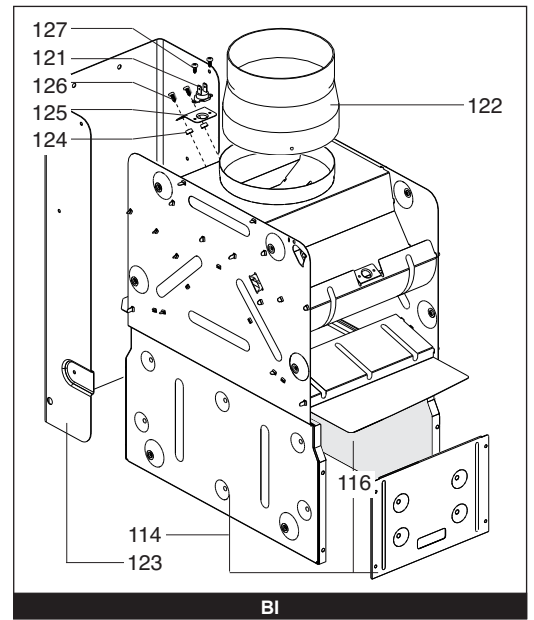
Model

### **GENIA MAXI - B60**

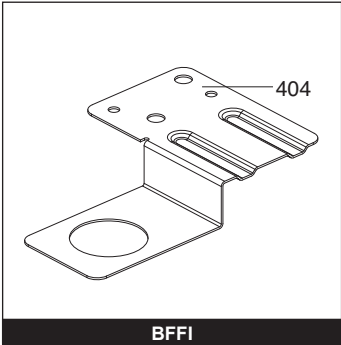
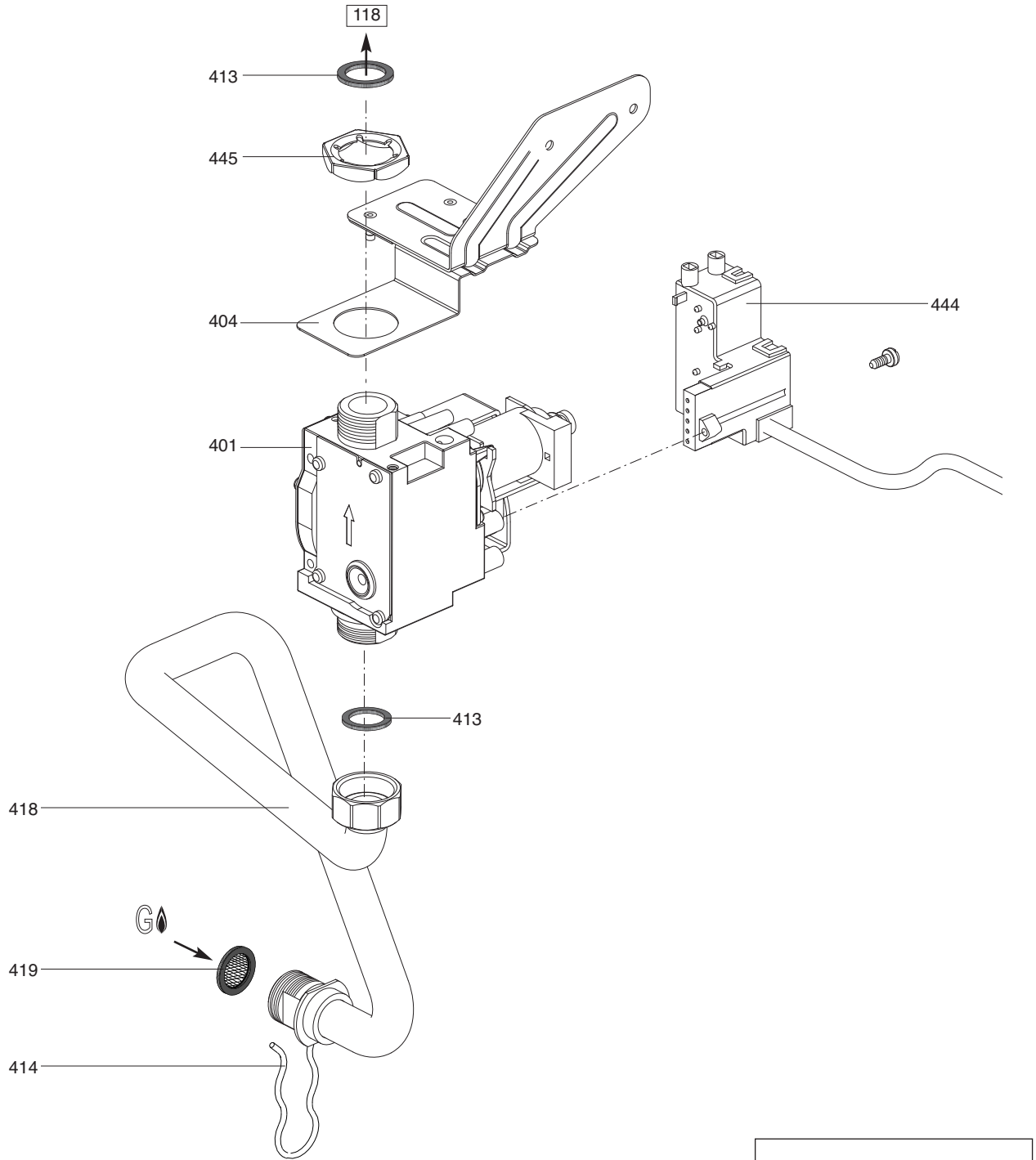
R8202685-03 - 04/06/2012

|     |        |                             |         |         |
|-----|--------|-----------------------------|---------|---------|
| 113 | 537673 | GENIA MAXI 24 / 60 BI MET   | 07-2003 | 12-2006 |
| 113 | 537674 | GENIA MAXI 24 / 60 BI GPL   | 07-2003 | 12-2009 |
| 115 | 537675 | GENIA MAXI 24 / 60 BFFI MET | 07-2003 | 12-2009 |
| 115 | 537676 | GENIA MAXI 24 / 60 BFFI GPL | 07-2003 | 12-2009 |
| 154 | 537660 | B60 28BI SIMAT GPL          | 05-2003 | 10-2007 |
| 154 | 537659 | B60 28BI SIMAT MET          | 05-2003 | 10-2007 |
| 154 | 537656 | B60 28BI ARISTON GPL        | 05-2003 | 12-2009 |
| 154 | 537655 | B60 28BI ARISTON MET        | 05-2003 | 05-2009 |
| 154 | 537648 | B60 28BI RADII GPL          | 05-2003 | 04-2006 |
| 154 | 537647 | B60 28BI RADII MET          | 05-2003 | 04-2006 |
| 206 | 537650 | B60 30BFFI RADII GPL        | 05-2003 | 04-2006 |
| 206 | 537649 | B60 30BFFI RADII MET        | 05-2003 | 04-2006 |
| 206 | 537657 | B60 30BFFI ARISTON MET      | 05-2003 | 12-2009 |
| 206 | 537658 | B60 30BFFI ARISTON GPL      | 05-2003 | 12-2009 |
| 206 | 537661 | B60 30BFFI SIMAT MET        | 05-2003 | 10-2007 |
| 206 | 537662 | B60 30BFFI SIMAT GPL        | 05-2003 | 10-2007 |

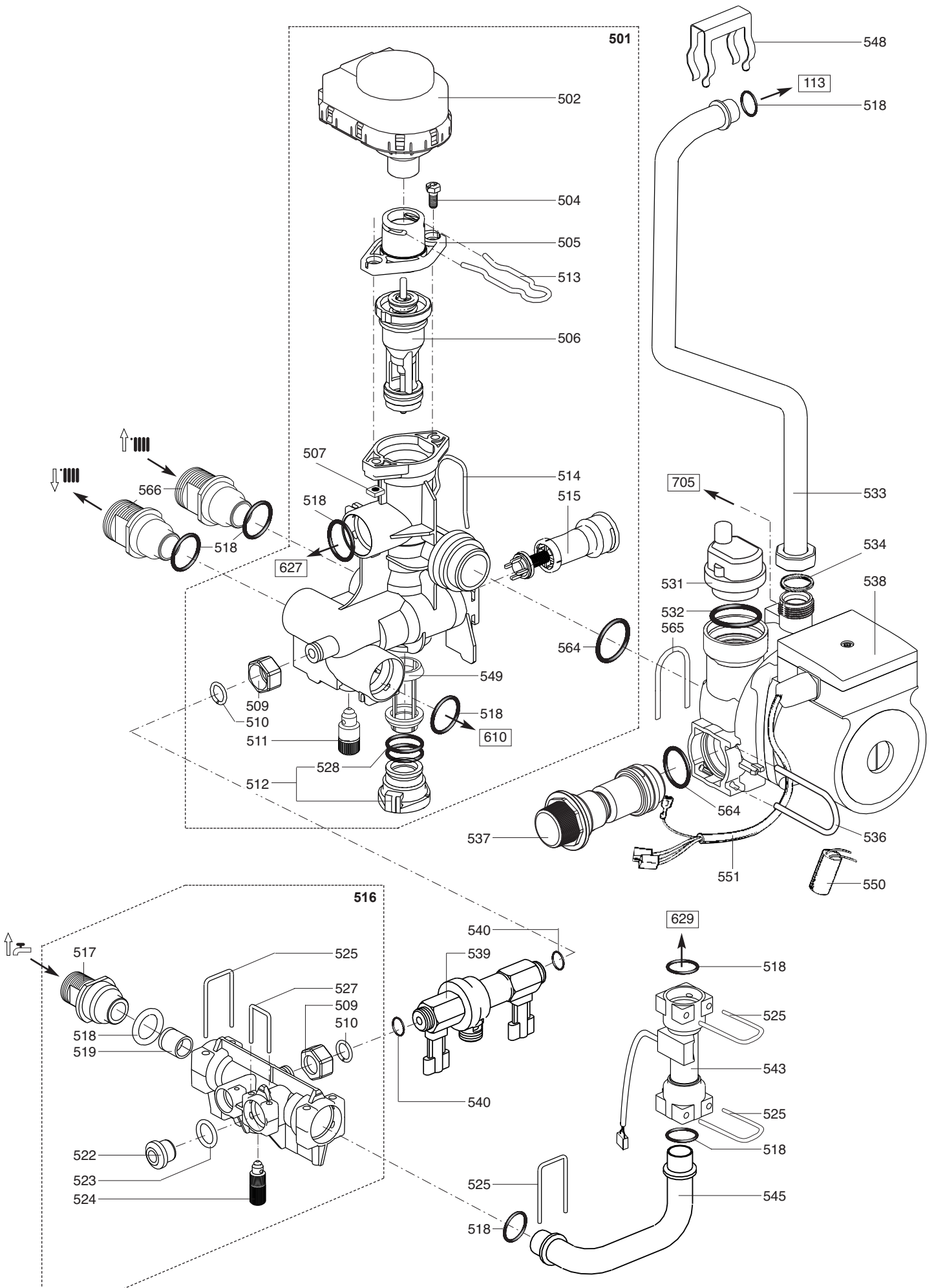
| Col | Reference | Model type | Begin | End |
|-----|-----------|------------|-------|-----|
|-----|-----------|------------|-------|-----|





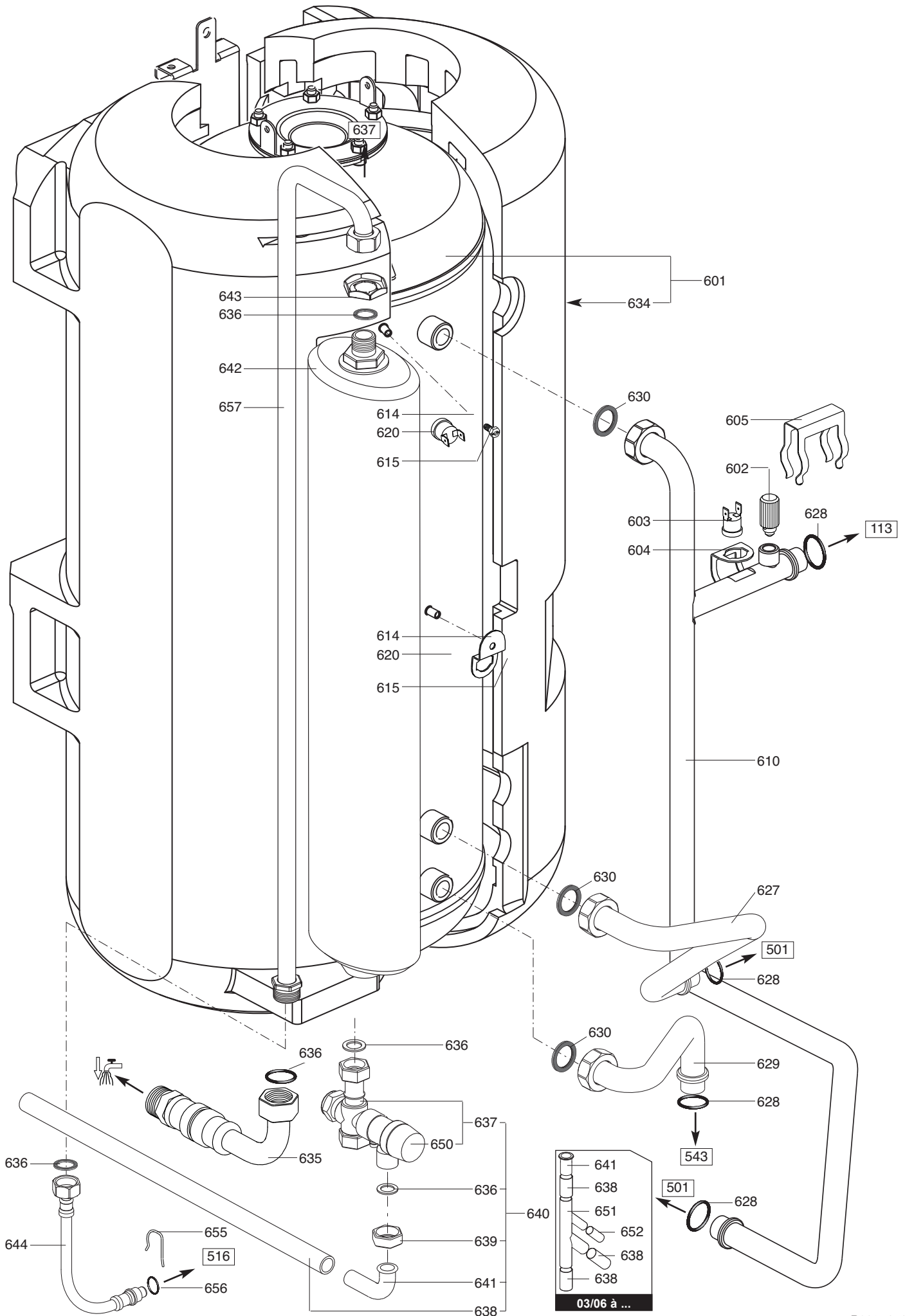








| ☉➔   | Description                   | Manf. Pt. N | Type | GENIA MAXI 24 BI<br>GENIA MAXI 24 BFFI<br>B60 28 BI<br>B60 30 BFFI |   |   |   |   |   |   |   |   |    |    |    |    |    |    |    |    |    |
|------|-------------------------------|-------------|------|--|---|---|---|---|---|---|---|---|----|----|----|----|----|----|----|----|----|
|      |                               |             |      | 1  | 2 | 3 | 4 | 5 | 6 | 7 | 8 | 9 | 10 | 11 | 12 | 13 | 14 | 15 | 16 | 17 | 18 |
| 0500 | HYDRAULIC BLOCK               |             |      |  |   |   |   |   |   |   |   |   |    |    |    |    |    |    |    |    |    |
| 0501 | HEATING BLOCK ASSY            | 61306595    |      | •  | • | • | • |   |   |   |   |   |    |    |    |    |    |    |    |    |    |
| 0502 | MOTOR - THREE-WAY VALVE       | 61302483-01 |      | •  | • | • | • |   |   |   |   |   |    |    |    |    |    |    |    |    |    |
| 0504 | SCREW HX M 5-12               | 61010131    |      | •  | • | • | • |   |   |   |   |   |    |    |    |    |    |    |    |    |    |
| 0505 | INTERFACE                     | 61304003    |      | •  | • | • | • |   |   |   |   |   |    |    |    |    |    |    |    |    |    |
| 0506 | VALVE KIT                     | 61303330    |      | •  | • | • | • |   |   |   |   |   |    |    |    |    |    |    |    |    |    |
| 0507 | NUT M 5                       | 61016604    |      | •  | • | • | • |   |   |   |   |   |    |    |    |    |    |    |    |    |    |
| 0509 | NUT 3/8" THICK: 11            | 60020746-20 |      | •  | • | • | • |   |   |   |   |   |    |    |    |    |    |    |    |    |    |
| 0510 | RETAINING RING                | 61302621    |      | •  | • | • | • |   |   |   |   |   |    |    |    |    |    |    |    |    |    |
| 0511 | DRAIN SCREW ASSY              | 60081028    |      | •  | • | • | • |   |   |   |   |   |    |    |    |    |    |    |    |    |    |
| 0512 | PLUG ASSY                     | 61305112    |      | •  | • | • | • |   |   |   |   |   |    |    |    |    |    |    |    |    |    |
| 0513 | PIN                           | 61304002    |      | •  | • | • | • |   |   |   |   |   |    |    |    |    |    |    |    |    |    |
| 0514 | PIN                           | 61302332    |      | •  | • | • | • |   |   |   |   |   |    |    |    |    |    |    |    |    |    |
| 0515 | BY-PASS                       | 61305111    |      | •  | • | • | • |   |   |   |   |   |    |    |    |    |    |    |    |    |    |
| 0516 | WATER/WATER HEAT BLOCK ASSY   | 61317030    |      | •  | • | • | • |   |   |   |   |   |    |    |    |    |    |    |    |    |    |
| 0517 | CONNECTION                    | 61302753    |      | •  | • | • | • |   |   |   |   |   |    |    |    |    |    |    |    |    |    |
| 0518 | O-RING D: 17-4                | 60024164-51 |      | •  | • | • | • |   |   |   |   |   |    |    |    |    |    |    |    |    |    |
| 0519 | FLOW REGULATOR 12L A/R        | 61303380    |      | •  | • | • | • |   |   |   |   |   |    |    |    |    |    |    |    |    |    |
| 0522 | PLUG                          | 61303675    |      | •  | • | • | • |   |   |   |   |   |    |    |    |    |    |    |    |    |    |
| 0523 | O-RING D: 13.6-2.7            | 60021061-18 |      | •  | • | • | • |   |   |   |   |   |    |    |    |    |    |    |    |    |    |
| 0524 | DRAIN SCREW ASSY              | 60081904    |      | •  | • | • | • |   |   |   |   |   |    |    |    |    |    |    |    |    |    |
| 0525 | PIN                           | 61016206-02 |      | •  | • | • | • |   |   |   |   |   |    |    |    |    |    |    |    |    |    |
| 0527 | PIN                           | 61303234    |      | •  | • | • | • |   |   |   |   |   |    |    |    |    |    |    |    |    |    |
| 0528 | O-RING D: 22-2                | 60022113-03 |      | •  | • | • | • |   |   |   |   |   |    |    |    |    |    |    |    |    |    |
| 0531 | AIR SEPARATOR HEAD ASSEMBLY   | 61304608    |      | •  | • | • | • |   |   |   |   |   |    |    |    |    |    |    |    |    |    |
| 0532 | GASKET KIT                    | 61304618    |      | •  | • | • | • |   |   |   |   |   |    |    |    |    |    |    |    |    |    |
| 0533 | TUBE : PUMP TO HEAT EXCHANGER | 61303219    |      | •  | • | • | • |   |   |   |   |   |    |    |    |    |    |    |    |    |    |
| 0534 | O-RING D: 16-1.9              | 61009833-37 |      | •  | • | • | • |   |   |   |   |   |    |    |    |    |    |    |    |    |    |
| 0536 | CLIP                          | 61302720    |      | •  | • | • | • |   |   |   |   |   |    |    |    |    |    |    |    |    |    |
| 0537 | PRESSURE RELIEF VALVE         | 61305113    |      | •  | • | • | • |   |   |   |   |   |    |    |    |    |    |    |    |    |    |
| 0538 | PUMP + AIR SEPARATOR 15/50    | 61301964    |      | •  | • | • | • |   |   |   |   |   |    |    |    |    |    |    |    |    |    |
|      | PUMP + AIR SEPARATOR 15/60    | 61303461    |      | •  | • | • | • |   |   |   |   |   |    |    |    |    |    |    |    |    |    |
| 0539 | DISCONNECTOR                  | 61303319    |      | •  | • | • | • |   |   |   |   |   |    |    |    |    |    |    |    |    |    |
| 0540 | SHEET TASKET D: 15-8.5-1.5    | 60030867    |      | •  | • | • | • |   |   |   |   |   |    |    |    |    |    |    |    |    |    |
| 0543 | STOPPED WATER THROTTLE        | 61304982    |      | •  | • | • | • |   |   |   |   |   |    |    |    |    |    |    |    |    |    |
| 0545 | COLD WATER TUBE               | 61311240    |      | •  | • | • | • |   |   |   |   |   |    |    |    |    |    |    |    |    |    |
| 0548 | CLIP                          | 61010609    |      | •  | • | • | • |   |   |   |   |   |    |    |    |    |    |    |    |    |    |
| 0549 | HEATING FILTER                | 61016502    |      | •  | • | • | • |   |   |   |   |   |    |    |    |    |    |    |    |    |    |
| 0550 | CAPACITOR                     | 61000652-10 |      | •  | • | • | • |   |   |   |   |   |    |    |    |    |    |    |    |    |    |
| 0551 | PUMP LEAD (2 SPEEDS)          | 61306995    |      | •  | • | • | • |   |   |   |   |   |    |    |    |    |    |    |    |    |    |
| 0564 | O-RING D: 24.6-3.6            | 61009834-30 |      | •  | • | • | • |   |   |   |   |   |    |    |    |    |    |    |    |    |    |
| 0565 | CLIP                          | 60030898-03 |      | •  | • | • | • |   |   |   |   |   |    |    |    |    |    |    |    |    |    |
| 0566 | CONNECTION                    | 61303920    |      | •  | • | • | • |   |   |   |   |   |    |    |    |    |    |    |    |    |    |





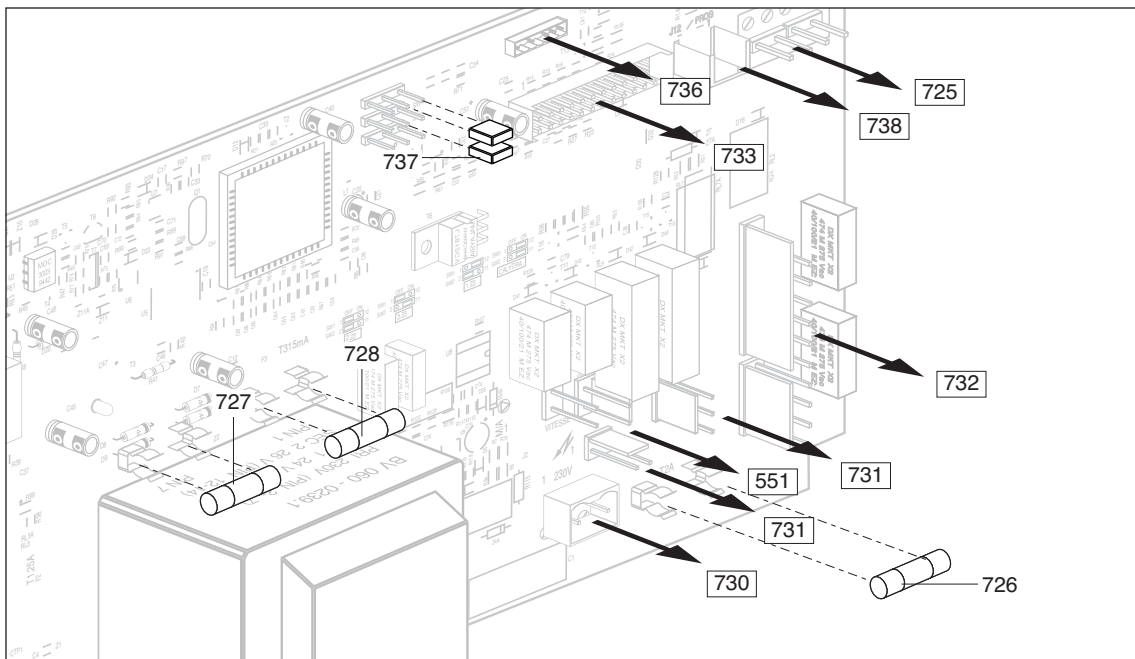
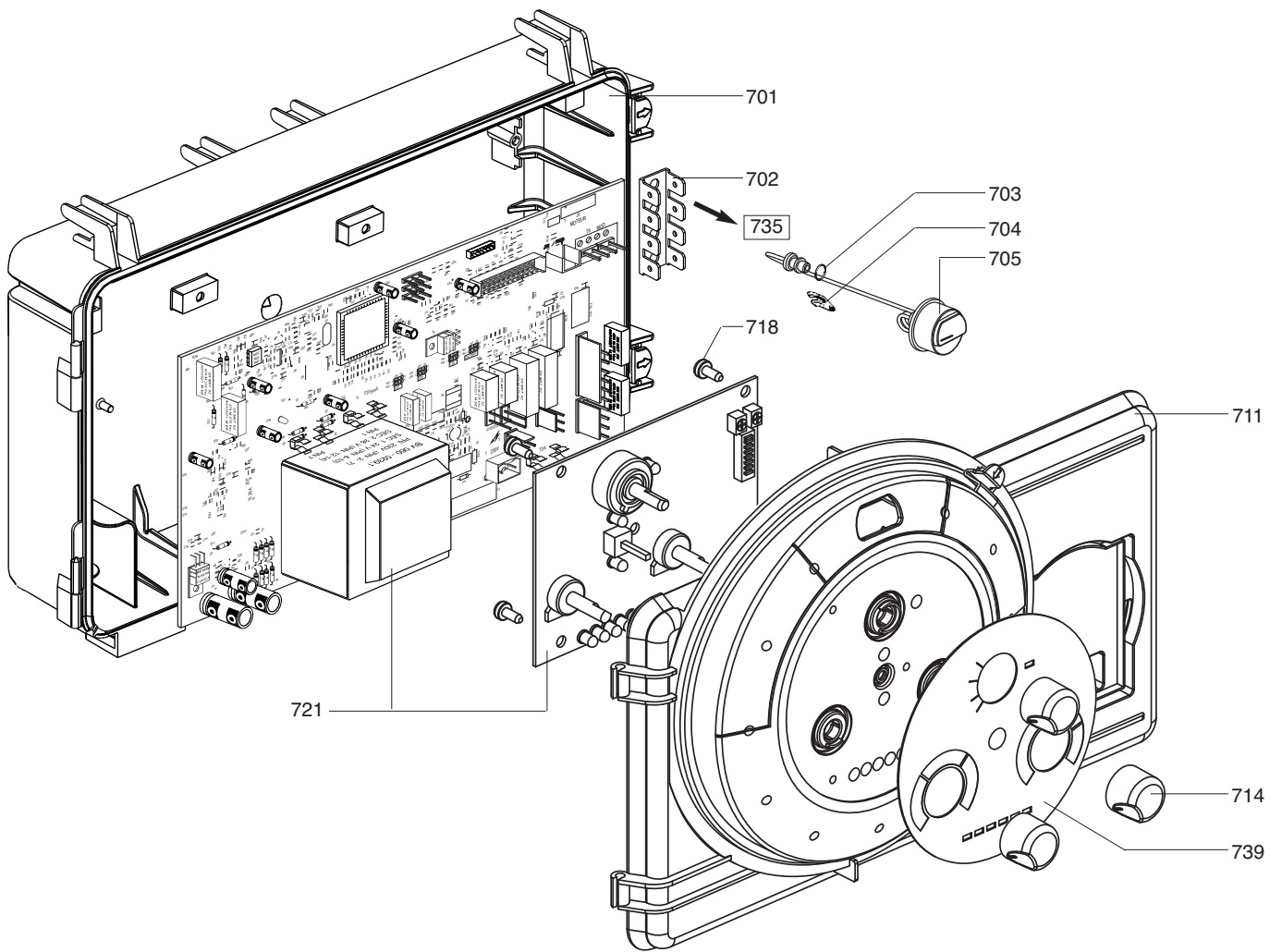
GENIA MAXI 24 BI  
 GENIA MAXI 24 BFI  
 B60 28 BI  
 B60 30 BFI

31

| Description                       | Manf. Pt. N | Type |   |   |   |   |   |   |   |   |   |    |    |    |    |    |    |    |       |       |
|-----------------------------------|-------------|------|---|---|---|---|---|---|---|---|---|----|----|----|----|----|----|----|-------|-------|
|                                   |             |      | 1 | 2 | 3 | 4 | 5 | 6 | 7 | 8 | 9 | 10 | 11 | 12 | 13 | 14 | 15 | 16 | 17    | 18    |
| <b>0600</b> HOT WATER TANK        |             |      |   |   |   |   |   |   |   |   |   |    |    |    |    |    |    |    |       |       |
| 0601 FLANGE + ANODE               | 60000334    |      | • | • | • | • |   |   |   |   |   |    |    |    |    |    |    |    |       |       |
| HOT WATER TANK 60L                | 61309770    |      | • | • | • | • |   |   |   |   |   |    |    |    |    |    |    |    |       |       |
| GASKET                            | 61317346    |      | • | • | • | • |   |   |   |   |   |    |    |    |    |    |    |    |       |       |
| 0602 DRAIN SCREW ASSY             | 60081028    |      | • | • | • | • |   |   |   |   |   |    |    |    |    |    |    |    |       |       |
| 0603 THERMISTOR TEMP. SENSOR KIT  | 61317663    |      | • | • | • | • |   |   |   |   |   |    |    |    |    |    |    |    |       |       |
| 0604 CLIP                         | 61010050    |      | • | • | • | • |   |   |   |   |   |    |    |    |    |    |    |    |       |       |
| 0605 CLIP                         | 61010609    |      | • | • | • | • |   |   |   |   |   |    |    |    |    |    |    |    |       |       |
| 0610 HEATING FLOW BEND            | 61309674    |      | • | • | • | • |   |   |   |   |   |    |    |    |    |    |    |    |       |       |
| 0614 SUPPORT                      | 61303369    |      | • | • | • | • |   |   |   |   |   |    |    |    |    |    |    |    |       |       |
| 0615 SCREW HSX M 5-8              | 61302631    |      | • | • | • | • |   |   |   |   |   |    |    |    |    |    |    |    |       |       |
| 0620 THERMISTOR                   | 61314258    |      | • | • | • | • |   |   |   |   |   |    |    |    |    |    |    |    |       |       |
| 0627 FLOW TUBE                    | 61309670    |      | • | • | • | • |   |   |   |   |   |    |    |    |    |    |    |    |       |       |
| 0628 O-RING D: 17-4               | 60024164-51 |      | • | • | • | • |   |   |   |   |   |    |    |    |    |    |    |    |       |       |
| 0629 COLD WATER TUBE              | 61309671    |      | • | • | • | • |   |   |   |   |   |    |    |    |    |    |    |    |       |       |
| 0630 SHEET GASKET D: 24-18.2-1.5  | 60061855-01 |      | • | • | • | • |   |   |   |   |   |    |    |    |    |    |    |    |       |       |
| 0634 INSULATION                   | 61310027    |      | • | • | • | • |   |   |   |   |   |    |    |    |    |    |    |    |       |       |
| 0635 HOT WATER BEND               | 61305099    |      | • | • | • | • |   |   |   |   |   |    |    |    |    |    |    |    |       |       |
| 0636 WASHER D: 18.4-12.2-1.5      | 60061855-14 |      | • | • | • | • |   |   |   |   |   |    |    |    |    |    |    |    |       |       |
| 0637 PRESSURE RELIEF VALVE 7 BARS | 61304749    |      | • | • | • | • |   |   |   |   |   |    |    |    |    |    |    |    |       |       |
| 0638 TUBE PVC D: 13x17 L: 1M      | 60081266-02 |      | • | • | • | • |   |   |   |   |   |    |    |    |    |    |    |    |       |       |
| 0639 NUT 1/2" THICK: 12           | 60020747-28 |      | • | • | • | • |   |   |   |   |   |    |    |    |    |    |    |    |       |       |
| 0640 PRESSURE RELIEF VALVE KIT    | 61305178    |      | • | • | • | • |   |   |   |   |   |    |    |    |    |    |    |    |       |       |
| 0641 CONNECTING PIPE              | 60001076    |      | • | • | • | • |   |   |   |   |   |    |    |    |    |    |    |    | 03/06 |       |
| CONNECTING PIPE                   | 61010430    |      | • | • | • | • |   |   |   |   |   |    |    |    |    |    |    |    |       | 02/06 |
| 0642 EXPANSION VESSEL             | 61306776    |      | • | • | • | • |   |   |   |   |   |    |    |    |    |    |    |    |       |       |
| 0643 CONTRODADO H 1/2             | 60031139    |      | • | • | • | • |   |   |   |   |   |    |    |    |    |    |    |    |       |       |
| 0644 FLEXIBLE PIPE                | 61314084    |      | • | • | • | • |   |   |   |   |   |    |    |    |    |    |    |    |       |       |
| 0650 VALVE 7 BARS                 | 60000437    |      | • | • | • | • |   |   |   |   |   |    |    |    |    |    |    |    |       |       |
| 0651 CONNECTION                   | 60000368    |      | • | • | • | • |   |   |   |   |   |    |    |    |    |    |    |    |       |       |
| 0652 TUBE PVC D: 9x12 L: 1M       | 60081266    |      | • | • | • | • |   |   |   |   |   |    |    |    |    |    |    |    |       |       |
| 0655 CLIP                         | 61010005    |      | • | • | • | • |   |   |   |   |   |    |    |    |    |    |    |    |       |       |
| 0656 O-RING D: 8.9-2.7            | 61009834-14 |      | • | • | • | • |   |   |   |   |   |    |    |    |    |    |    |    |       |       |
| 0657 EXPANSION VESSEL TUBE        | 61315789    |      | • | • | • | • |   |   |   |   |   |    |    |    |    |    |    |    |       |       |

GENIA MAXI - B60

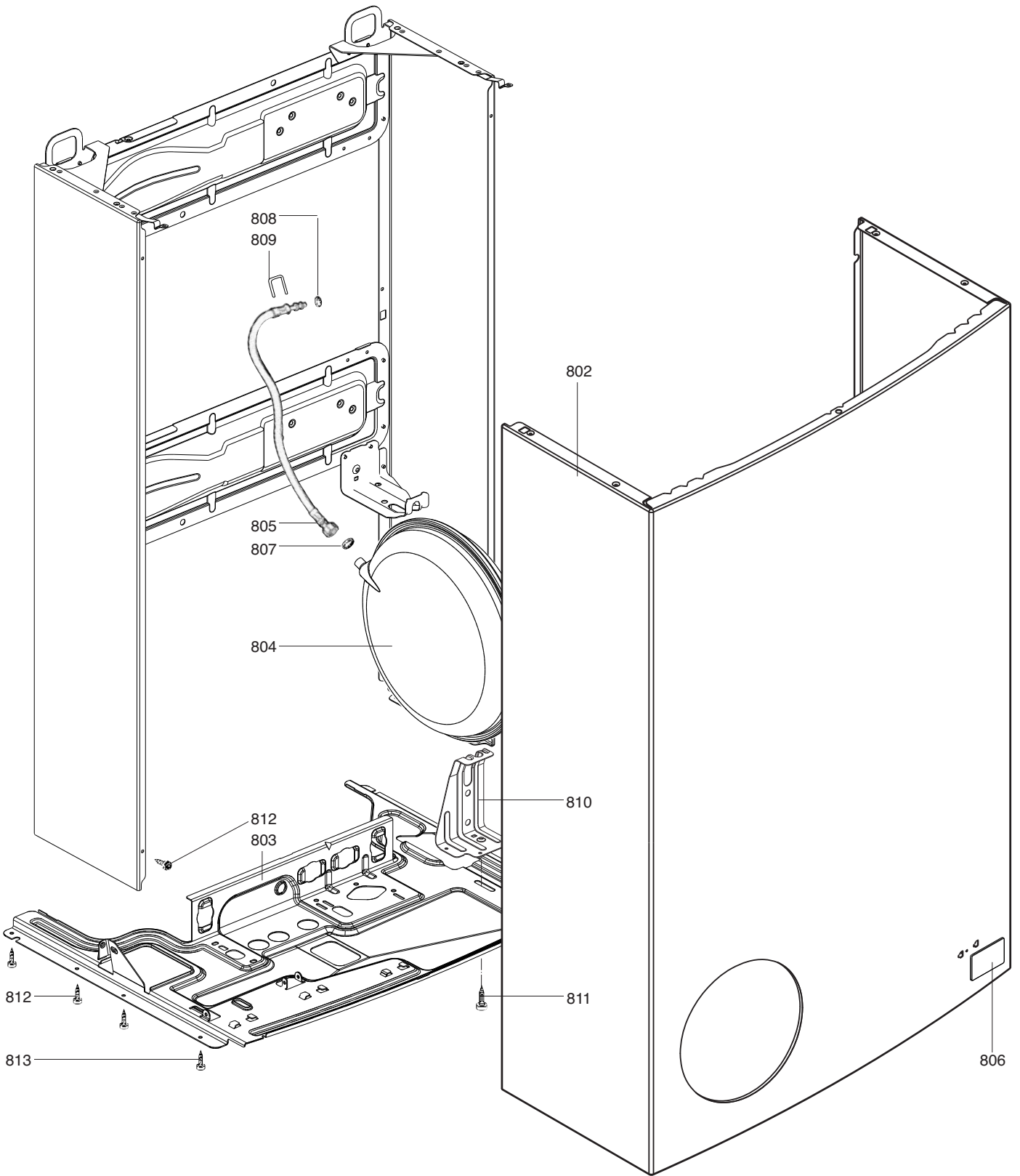
Domestic Gas Boilers



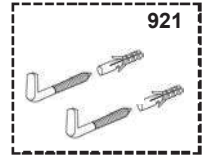
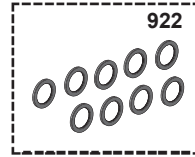
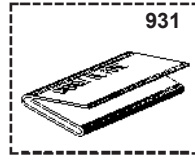
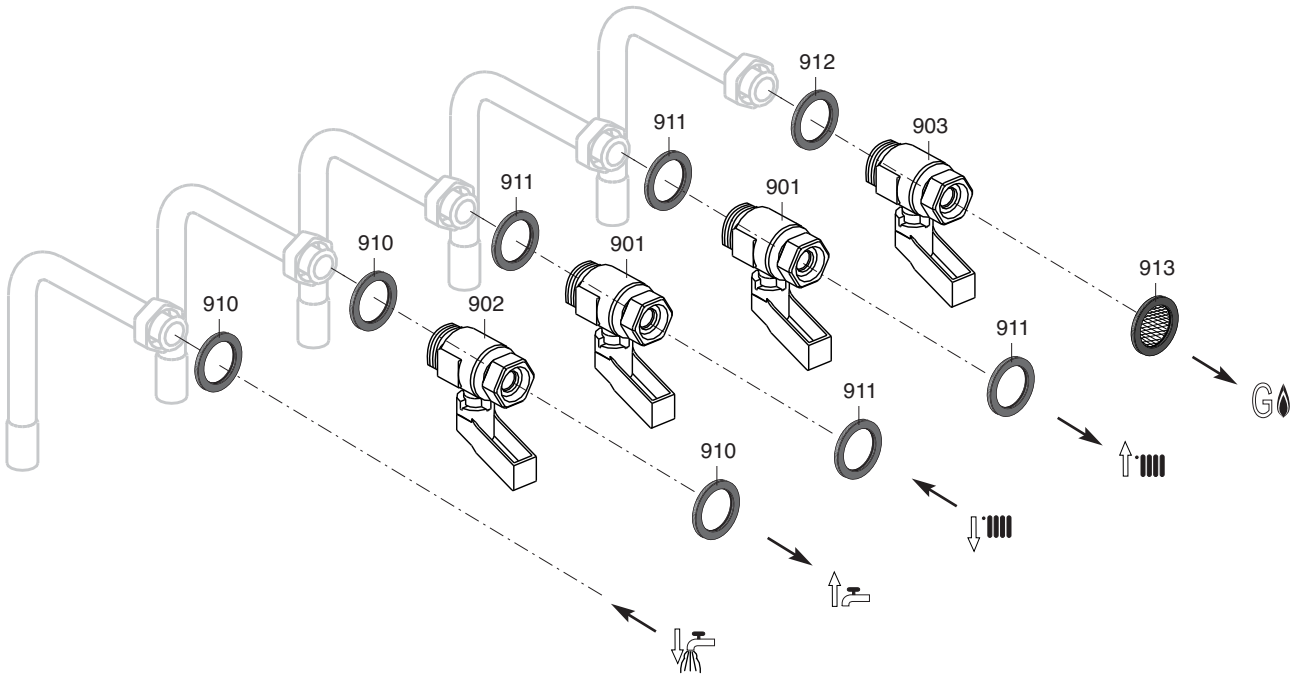
GENIA MAXI 24 BI  
 GENIA MAXI 24 BFFI  
 B60 28 BI  
 B60 30 BFFI

31

| Description                        | Manf. Pt. N | Type |   |   |   |   |   |   |   |   |   |    |    |    |    |    |    |    |    |    |
|------------------------------------|-------------|------|---|---|---|---|---|---|---|---|---|----|----|----|----|----|----|----|----|----|
|                                    |             |      | 1 | 2 | 3 | 4 | 5 | 6 | 7 | 8 | 9 | 10 | 11 | 12 | 13 | 14 | 15 | 16 | 17 | 18 |
| <b>0700 ELECTRICAL BOX</b>         |             |      |   |   |   |   |   |   |   |   |   |    |    |    |    |    |    |    |    |    |
| 0701 BASE - BOX                    | 61303242    |      | • | • | • | • |   |   |   |   |   |    |    |    |    |    |    |    |    |    |
| 0702 CONNECTION STRIP              | 61002725    |      | • | • | • | • |   |   |   |   |   |    |    |    |    |    |    |    |    |    |
| 0703 O RING D: 5.7-1.9             | 61009834-10 |      | • | • | • | • |   |   |   |   |   |    |    |    |    |    |    |    |    |    |
| 0704 CLIP                          | 61002406    |      | • | • | • | • |   |   |   |   |   |    |    |    |    |    |    |    |    |    |
| 0705 PRESSURE GAUGE                | 61305005    |      | • | • | • | • |   |   |   |   |   |    |    |    |    |    |    |    |    |    |
| 0711 ELECTRICAL BOX COVER          | 61313201    |      | • | • | • | • |   |   |   |   |   |    |    |    |    |    |    |    |    |    |
| 0714 CONTROL KNOB                  | 992027      |      | • | • | • | • |   |   |   |   |   |    |    |    |    |    |    |    |    |    |
| 0718 TAPPING SCREW TCBL D:4 L:10   | 61020509    |      | • | • | • | • |   |   |   |   |   |    |    |    |    |    |    |    |    |    |
| 0721 PRINTED CIRCUIT BOARDS        | 61316920    |      | • | • | • | • |   |   |   |   |   |    |    |    |    |    |    |    |    |    |
| 0725 THERMOSTAT CABLE              | 61312402    |      | • | • | • | • |   |   |   |   |   |    |    |    |    |    |    |    |    |    |
| 0726 FUSE 250V 2A - TEMPORIZED     | 61003456    |      | • | • | • | • |   |   |   |   |   |    |    |    |    |    |    |    |    |    |
| 0727 FUSE 250V 1.25A - TEMPORIZED  | 61003635    |      | • | • | • | • |   |   |   |   |   |    |    |    |    |    |    |    |    |    |
| 0728 FUSE 250V 0.315A - TEMPORIZED | 61307845    |      | • | • | • | • |   |   |   |   |   |    |    |    |    |    |    |    |    |    |
| 0730 CABLAGGIO D ALIMENTAZIONE     | 61311903    |      | • | • | • | • |   |   |   |   |   |    |    |    |    |    |    |    |    |    |
| 0731 CABLE                         | 61311871    |      | • |   | • |   |   |   |   |   |   |    |    |    |    |    |    |    |    |    |
| 0732 CABLE                         | 61310952    |      |   | • |   | • |   |   |   |   |   |    |    |    |    |    |    |    |    |    |
| 0733 WIRE ASSEMBLY                 | 61310949    |      |   | • |   | • |   |   |   |   |   |    |    |    |    |    |    |    |    |    |
| WIRE ASSEMBLY                      | 61310951    |      | • |   | • |   |   |   |   |   |   |    |    |    |    |    |    |    |    |    |
| 0734 EARTH WIRE                    | 61305498    |      | • | • | • | • |   |   |   |   |   |    |    |    |    |    |    |    |    |    |
| 0735 EARTH WIRE                    | 61303360    |      | • | • | • | • |   |   |   |   |   |    |    |    |    |    |    |    |    |    |
| 0736 INTERCONNECTION CABLE         | 61312117    |      | • | • | • | • |   |   |   |   |   |    |    |    |    |    |    |    |    |    |
| 0737 BLACK SHUNT                   | 61400030    |      | • | • | • | • |   |   |   |   |   |    |    |    |    |    |    |    |    |    |
| 0738 CONTACT SOCKET CONNECTOR 3 P. | 61003209    |      | • | • | • | • |   |   |   |   |   |    |    |    |    |    |    |    |    |    |
| 0739 ECRAN AUTOCOLLANT BALIXIA     | 992026      |      | • | • | • | • |   |   |   |   |   |    |    |    |    |    |    |    |    |    |

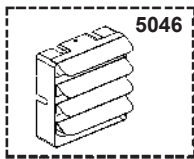
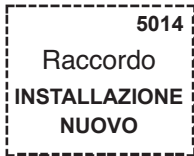
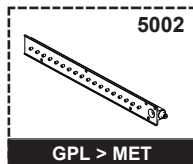








5000







## LIST OF THE ABBREVIATIONS

|             |  |
|-------------|--|
| HW .....    | : Hot water.                                   |
| CW .....    | : Cold water.                                  |
| C .....     | : Ceramic resistance (normal heating).         |
| Ca .....    | : Ceramic resistance (accelerated heating)     |
| TP .....    | : Immersion heater.                            |
| 1F .....    | : With fittings.                               |
| 2F .....    | : Without fittings.                            |
| 3F .....    | : With fittings and another outlet connection. |
| AMI .....   | : With mixing valve.                           |
| SMI .....   | : Without mixing valve.                        |
| PUISS ..... | : Power of th appliance.                       |
| PN .....    | : Appliance with normal pression.              |
| LP .....    | : Appliance with low pression.                 |
| PV .....    | : Appliance with variable power.               |
| PF .....    | : Appliance with fixed power.                  |

## IDENTIFICATION PLATE

### SERIAL NUMBER

|                             |                           |                                   |
|-----------------------------|---------------------------|-----------------------------------|
| <b>10 Characters :</b>      | 04 05 125 011             | Sequential number                 |
|                             |                           | Manufacturing day                 |
|                             |                           | Year of manufacture               |
| <b>11 Characters :</b>      | 1 95 065004 - 31          | Technical number of the appliance |
| Month of manufacture :      |                           | Sequential number                 |
| from 1 to 9 → Jan. to Sep., |                           | Year of manufacture               |
| O → Oct., N → Nov.,         |                           |                                   |
| D → Dec.                    |                           |                                   |
| <b>19 Characters :</b>      | 08 05 0013199 900640031   | Product reference                 |
| Year of manufacture         |                           | Sequential number                 |
| Month of manufacture        |                           |                                   |
| <b>20 Characters :</b>      | 3675007 XX 2 07 070 00315 | Sequential number                 |
| Product reference           |                           | Manufacturing day                 |
| Millenium of manufacture    |                           | Year of manufacture               |
| <b>21 Characters :</b>      | 3675007 XX 07 070 0000315 | Sequential number                 |
| Product reference           |                           | Manufacturing day                 |
| Year of manufacture         |                           |                                   |