



**CHAFFOTEAUX  
& MAURY**

**ESPLOSO RICAMBI  
CALDAIE DOMESTICHE**

Modello

**MULTI & CELTIC 20 RSC b**

R8202314-04IT - Edizione 04 - 02/05/2005

54 224331		MULTI 20 MET	1986	1991
54 224321		MULTI 20 GPL	1986	1991
54 224337	31	MULTI 20 FF MET	1988	...
54 224337	32	MULTI 20 FF MET	...	1991
54 224327	31	MULTI 20 FF GPL	1988	...
54 224327	32	MULTI 20 FF GPL	...	1991
54 224531		CELTIC 2.20 EV MET	...	...
54 224521		CELTIC 2.20 EV GPL	...	...
55 224531		M20 LUXE MET	...	...
55 224521		M20 LUXE GPL	...	...
54 224831	31	MULTI 20 TOP MET	12/90	04/93
54 224831	32	MULTI 20 TOP MET	04/93	05/96
54 224821	31	MULTI 20 TOP GPL	01/91	04/93
54 224821	32	MULTI 20 TOP GPL	05/93	11/94
54 224837	31	MULTI 20 FF TOP MET	04/91	01/92
54 224837	32	MULTI 20 FF TOP MET	02/92	03/94
54 224827	31	MULTI 20 FF TOP GPL	05/91	10/91
54 224827	32	MULTI 20 FF TOP GPL	01/92	12/93
54 224832	31	MULTI 20 TOP FFa MET	08/94	08/95
54 224822	31	MULTI 20 TOP FFa GPL	09/94	10/94
54 225437		CELTIC 2.20 FF RSc MET	1984	1988
54 225427		CELTIC 2.20 FF RSc GPL	1984	1988
55 225437		NOVALUX FF 20 RSc MET	...	...
55 225427		NOVALUX FF 20 RSc GPL	...	...
54 221931	31	MC 13-20 RSc b MET	05/91	04/93
54 221931	32	MC 13-20 RSc b MET	05/93	06/96
54 221921	31	MC 13-20 RSc b GPL	07/91	04/93
54 221921	32	MC 13-20 RSc b GPL	05/93	04/95
54 221937	31	MC 13-20 FF RSc b MET	10/91	12/91
54 221937	32	MC 13-20 FF RSc b MET	01/92	07/95
54 221927	31	MC 13-20 FF RSc b GPL	10/91	12/91
54 221927	32	MC 13-20 FF RSc b GPL	08/91	01/95
56 215331	31	CORTINA R MET	10/91	04/93
56 215331	32	CORTINA R MET	05/93	04/93
56 225331	31	CORTINA MET	09/91	04/93
56 225331	32	CORTINA MET	05/93	...
56 225321	31	CORTINA GPL	09/91	04/93
56 225321	32	CORTINA GPL	05/93	...
56 225337	31	CORTINA F MET	10/91	11/91
56 225337	32	CORTINA F MET	01/92	...
56 225327	31	CORTINA F GPL	03/92	...



Codice      Ind.      Modello      Date inizio      Data fine

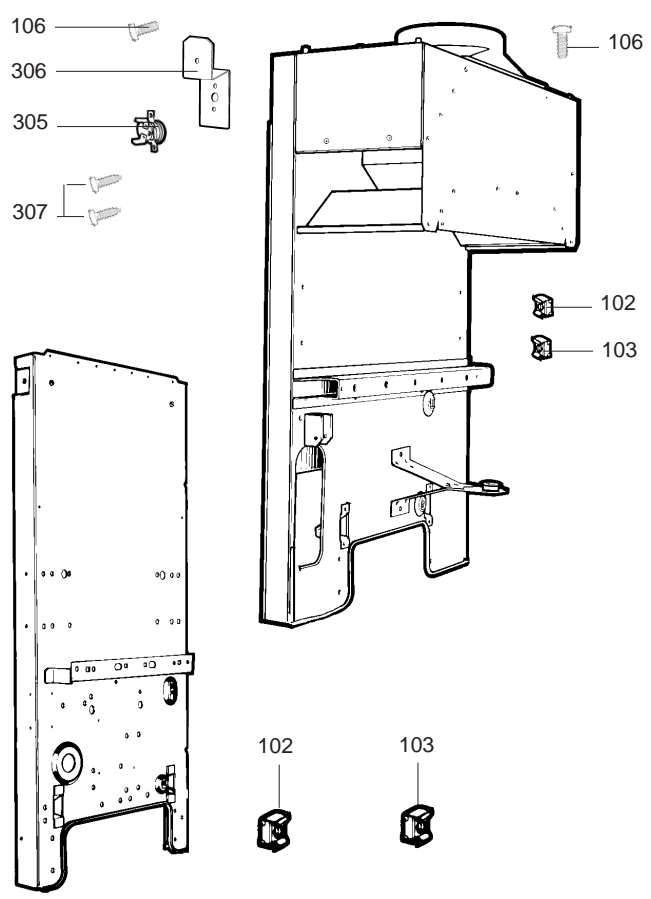




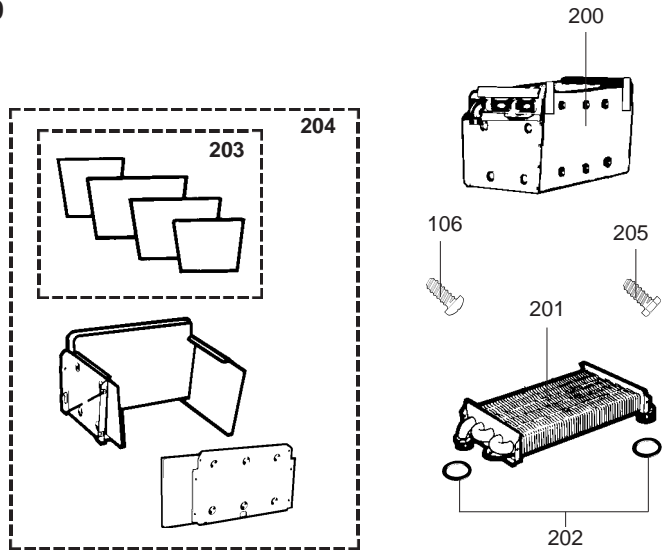
**CHAFFOTEAUX  
& MAURY**

51 225331	31	RS 20 M MET	12/90	04/91
51 225331	32	RS 20 M MET	05/93	...
51 225321	31	RS 20 M GPL	12/90	04/91
51 225321	32	RS 20 M GPL	05/93	...
51 225337	31	RS 20 M FF MET	04/91	11/91
51 225337	32	RS 20 M FF MET	12/91	...
51 225327	31	RS 20 M FF GPL	...	...
51 225327	32	RS 20 M FF GPL	12/91	...
55 224331		M 20 MET	1986	1990
55 224321		M 20 GPL	1986	1990
55 224337		M 20 FF MET	1988	1990
55 224327		M 20 FF GPL	1988	1990
Code	Ind.	Modèle	Date Début	Date Fin

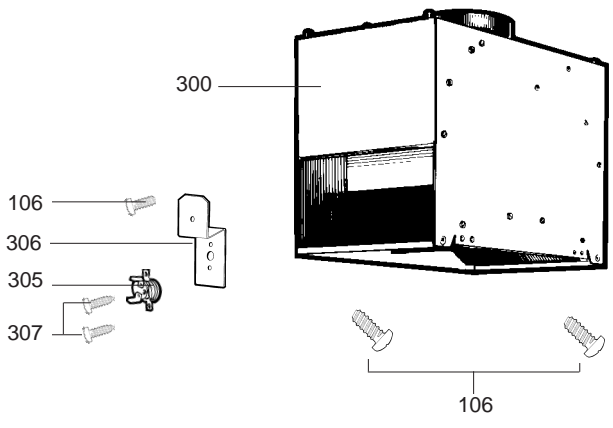
100



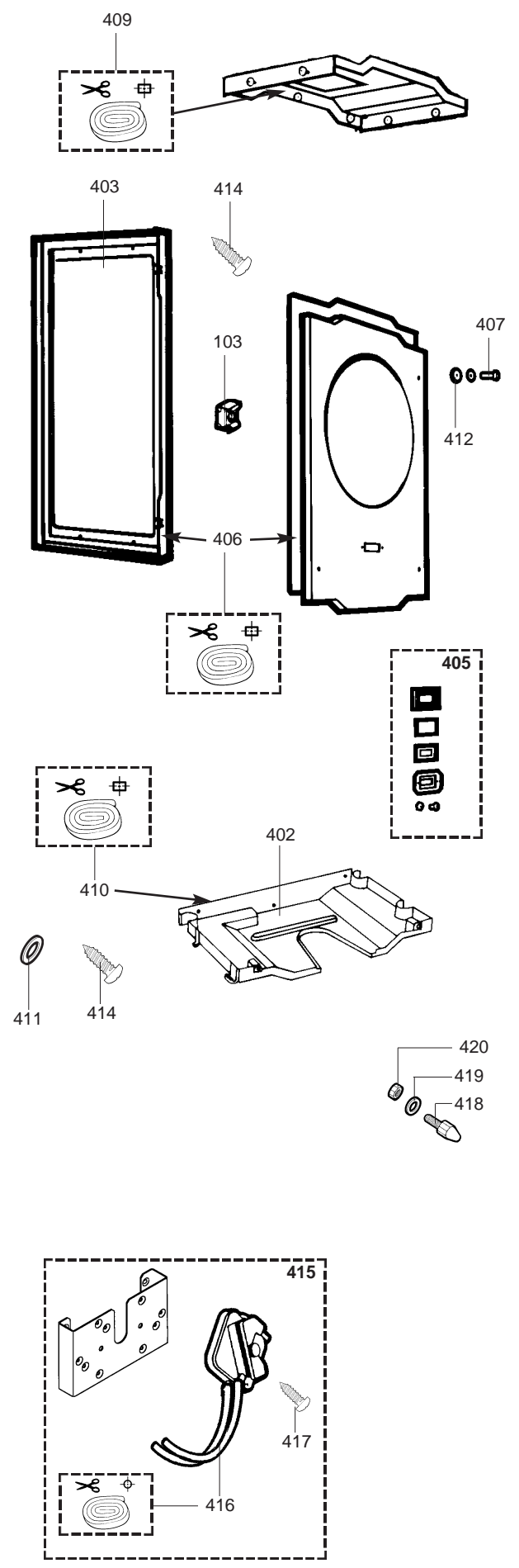
200



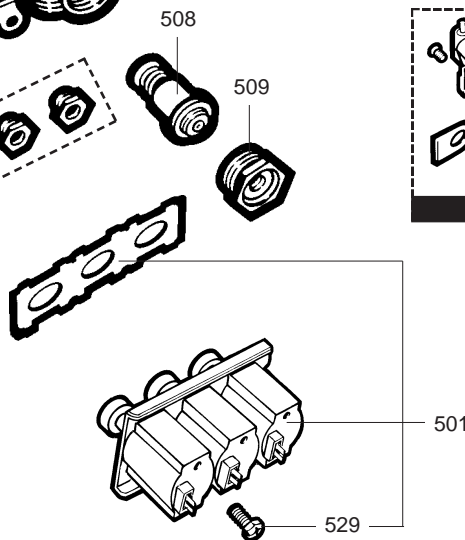
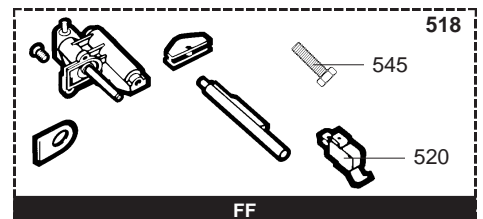
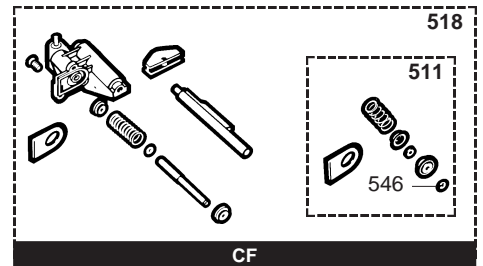
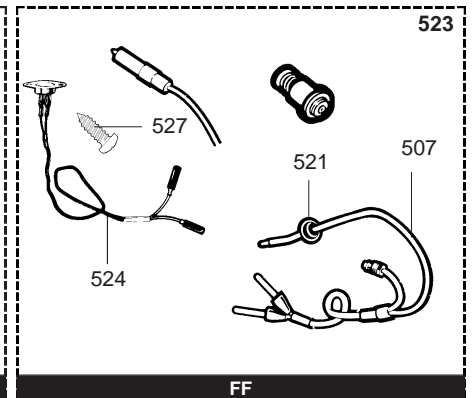
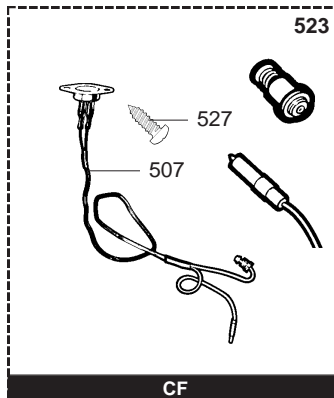
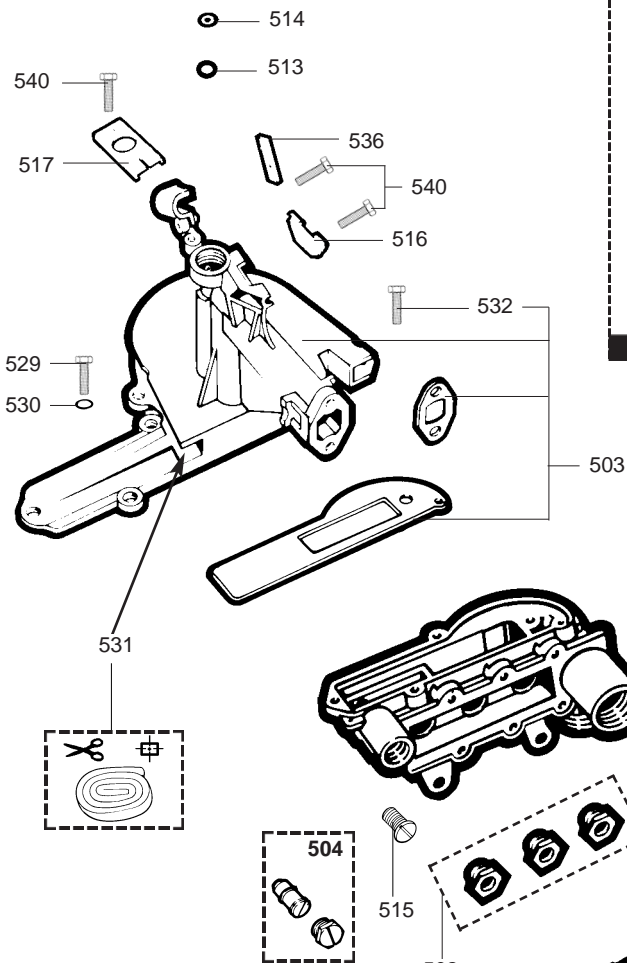
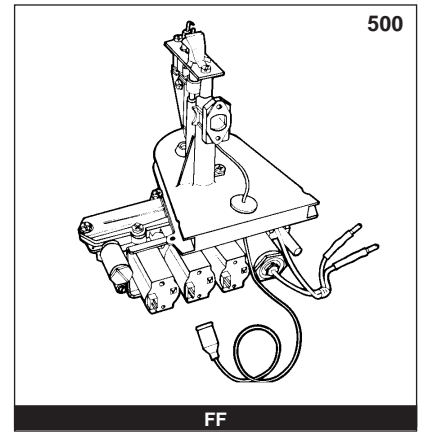
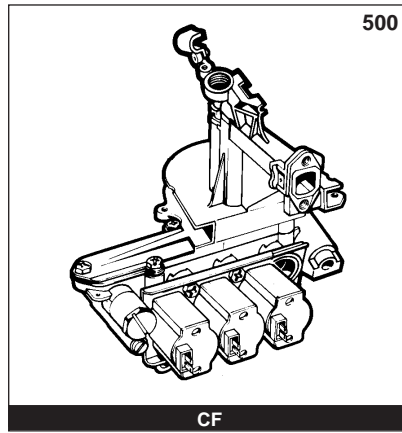
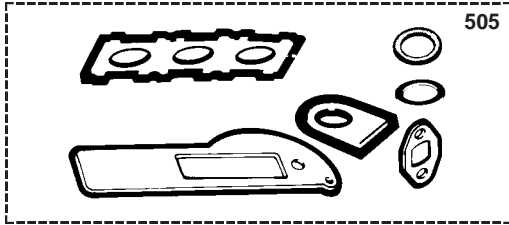
300



400

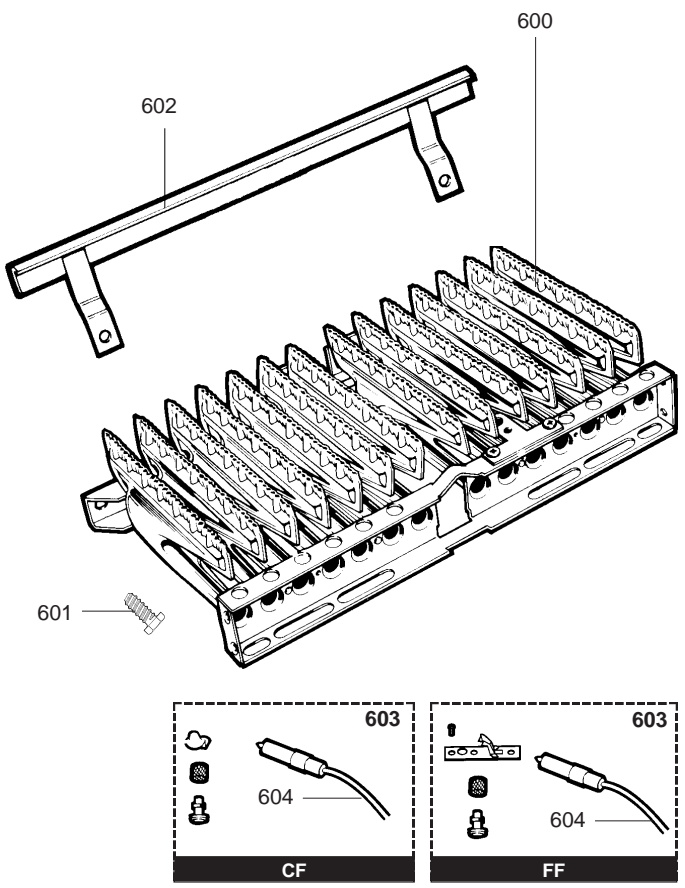




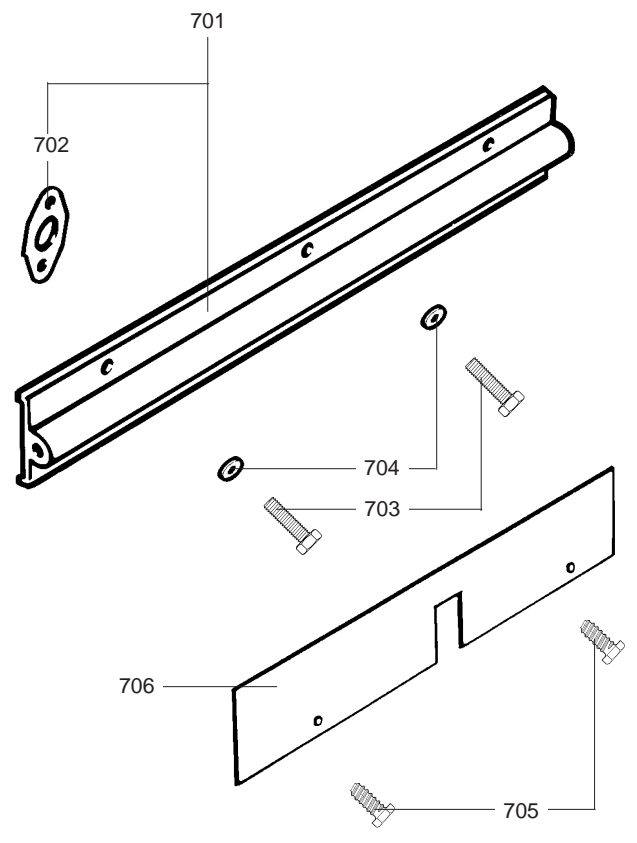




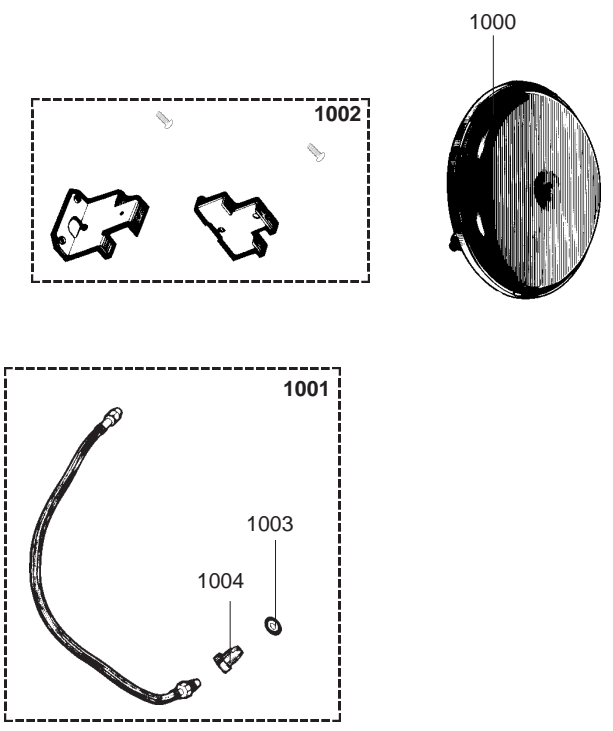
600



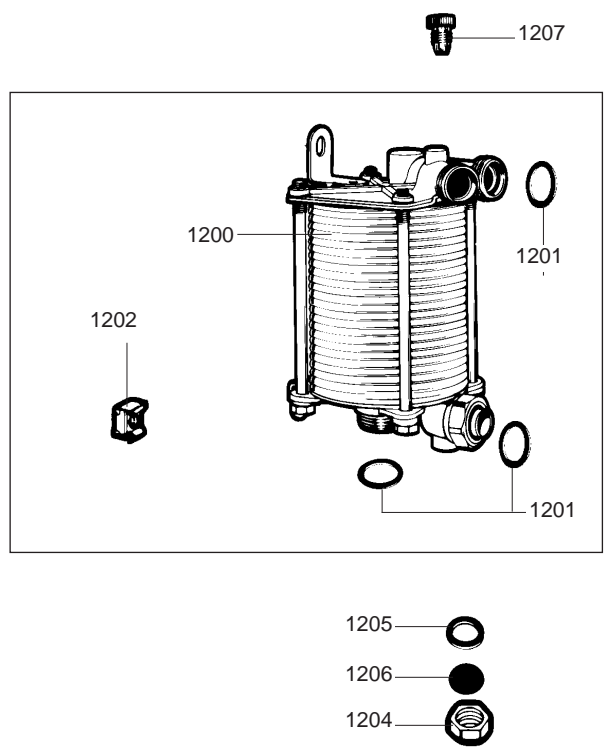
700



1000

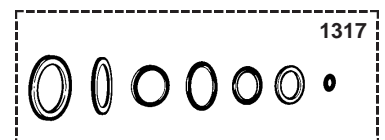
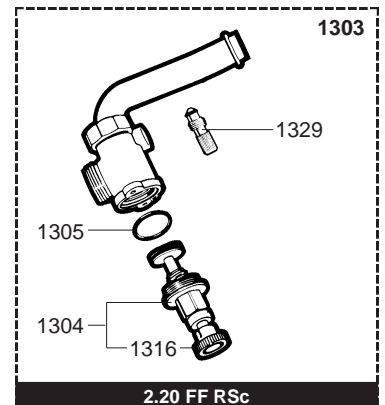
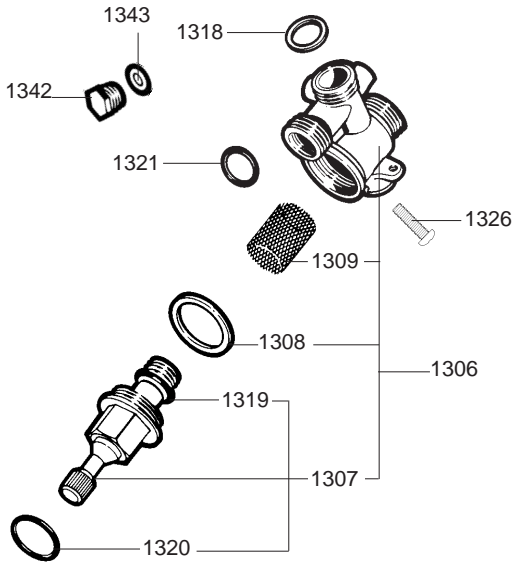
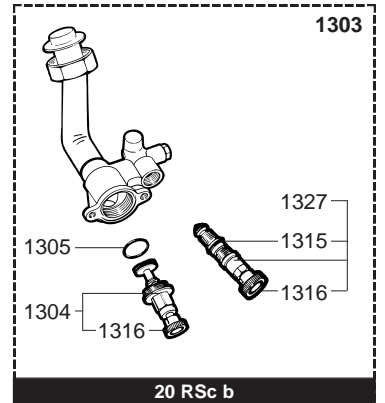
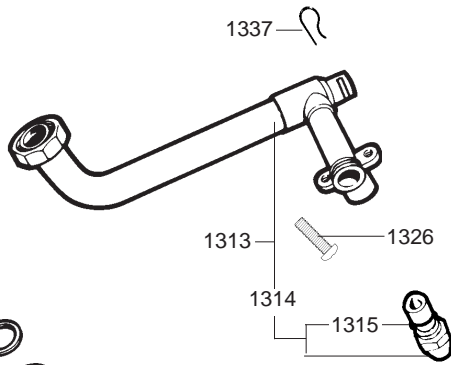
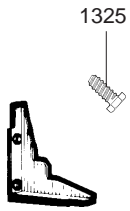
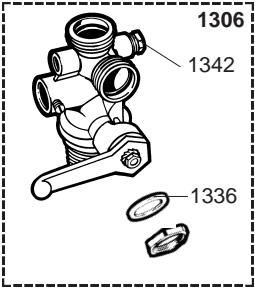
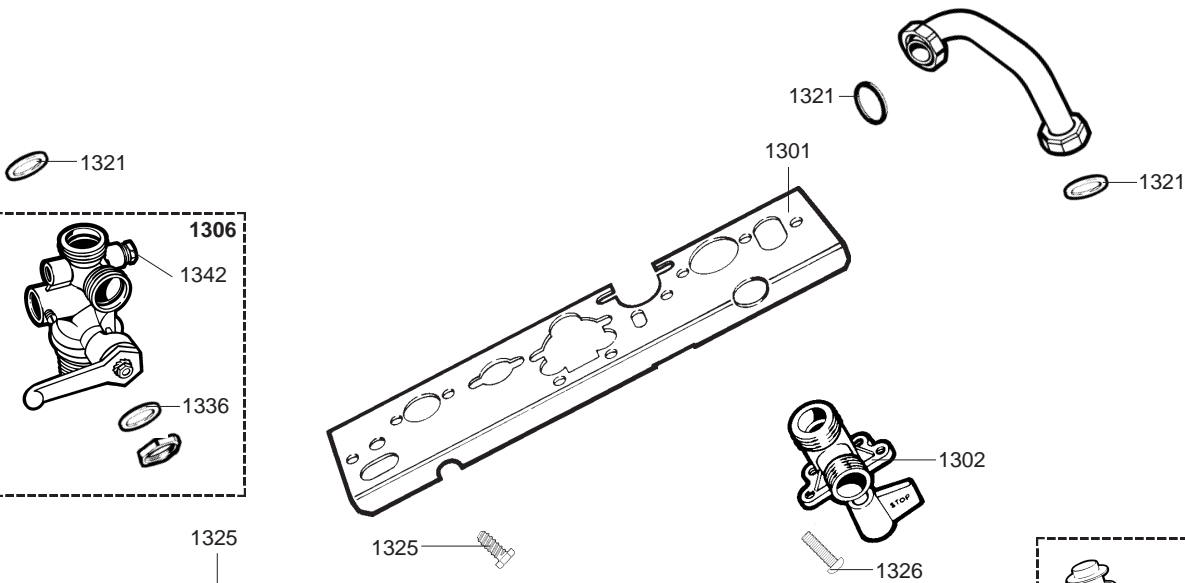
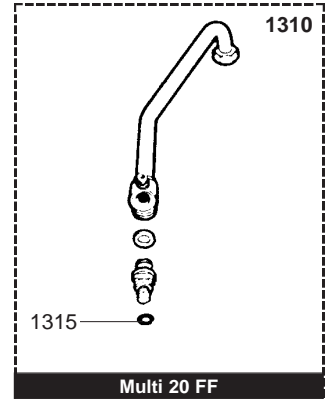
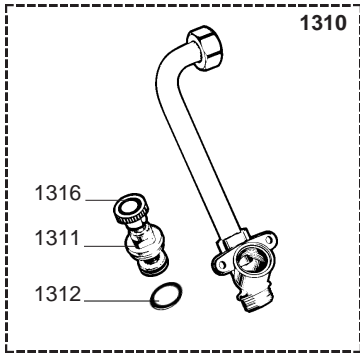


1200



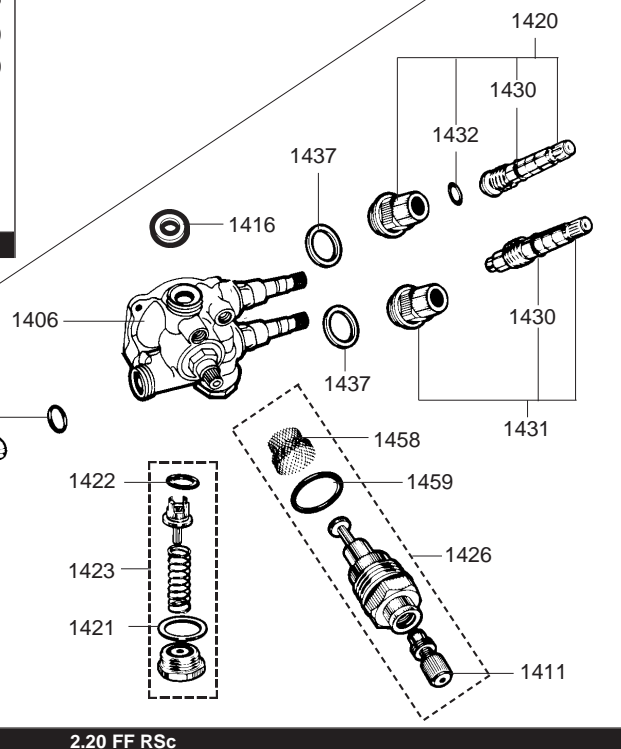
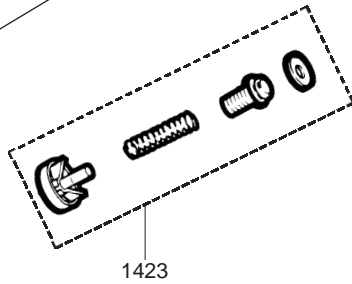
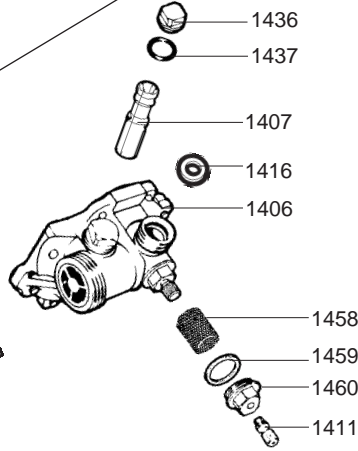
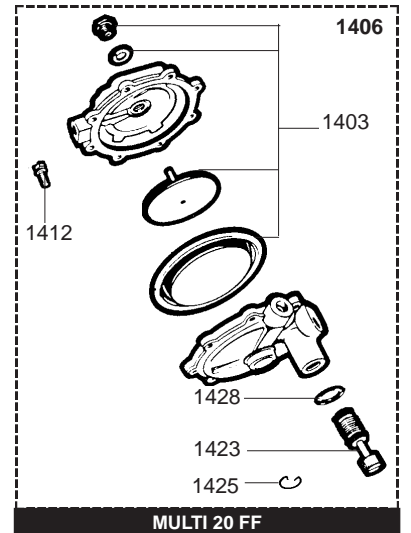
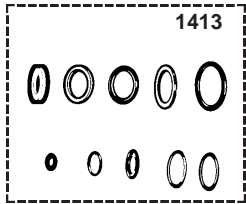
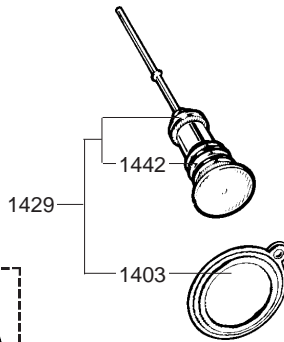
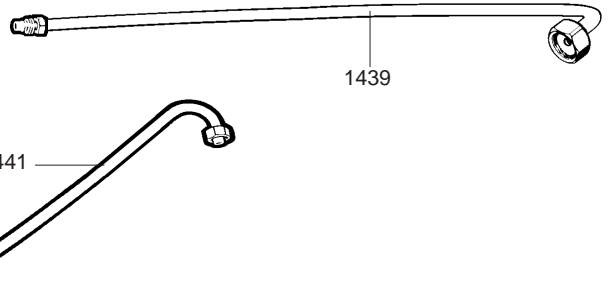
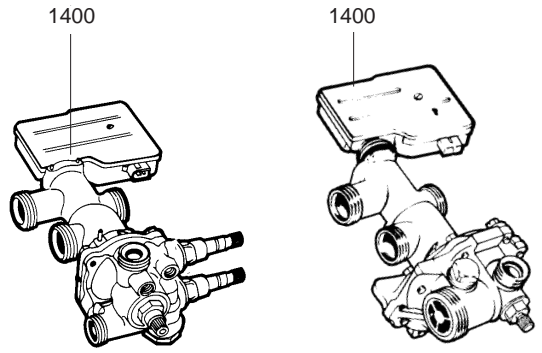
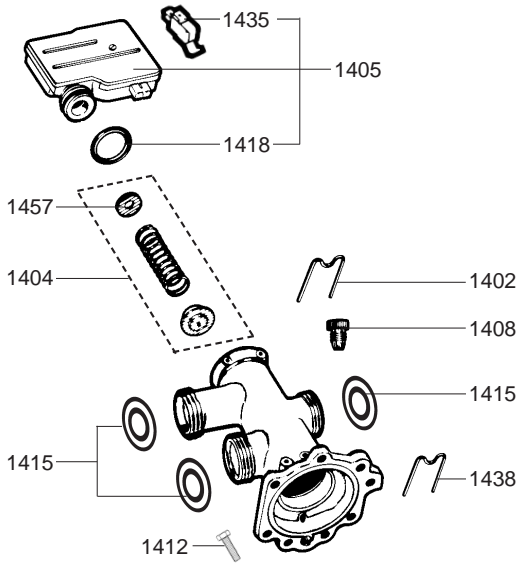


Rifer. figura	Descrizione	Codice	Altra	Tipo	20														Data					
					Multi 20		220 EV		Multi Venti Top		Celtic 220 RSc		MC 13-20 RSc		Cantina R		Cantina F		RS 20 M		M 20 Novagas		da	a
					CF	FF	CF	FF	CF	FF	CF	FF	CF	FF	CF	FF	CF	FF	CF	FF	CF	FF		
<b>0600</b>	<b>BRUCIATORE</b>	60069106			•	•	•	•	•	•	•	•	•	•	•	•	•	•	•					
0601	VITE AUTOFIL. CBLX D: 6.3-13	61010648			•	•	•	•	•	•	•	•	•	•	•	•	•	•	•					
0602	CONVOGLIATORE FIAMMA	60036140			•	•	•	•	•	•	•	•	•	•	•	•	•	•	•					
0603	PILOTA (Kit)	60081033		GPL	•	•	•			•			•			•			•					
	PILOTA (Kit)	60081218		GPL		•				•				•				•						
	PILOTA (Kit)	60081037		MET	•		•			•			•			•			•					
	PILOTA (Kit)	60081186		MET		•				•			•			•			•					
0604	ELETTRODO ACCENSIONE CON CAVO	60070308				•				•			•			•			•					
	ELETTRODO ACCENSIONE CON CAVO	60074859			•		•			•			•			•			•					
<b>0700</b>	<b>COLLETTORE</b>																							
0701	COLLETTORE GPL (Confezione)	60081012		GPL	•		•	•	•	•	•					•	•							
	COLLETTORE GPL (Confezione)	60081059		GPL		•									•	•			•	•				
	COLLETTORE METANO (Confezione)	60081011		MET	•		•	•	•	•	•				•	•			•	•				
	COLLETTORE METANO (Confezione)	60081058		MET		•													•	•				
0702	GUARNIZIONE (/Collettore)	60071226			•	•	•	•	•	•	•	•	•	•	•	•	•	•	•	•	•			
0703	VITE HX M 5-12	61010131			•	•	•	•	•	•	•	•	•	•	•	•	•	•	•	•	•			
0704	RONDELLA D: 12-5.2-1	60061934-03			•	•	•	•	•	•	•	•	•	•	•	•	•	•	•	•	•			
0705	VITE AUTOFIL. CBLX D: 4.2-25	61010128			•	•	•	•	•	•	•	•	•	•	•	•	•	•	•	•	•			
0706	DEFLETTORE	60060727				•				•					•			•						
<b>1000</b>	<b>VASO ESPANSIONE</b>	60056676-06			•	•	•	•	•	•	•	•	•	•	•	•	•	•	•	•	•			
1001	FLESSIBILE (Sacchetto)	60081013			•	•	•	•	•	•	•	•	•	•	•	•	•	•	•	•	•			
1002	SUPPORTO DEL VASO ESPANSIONE	60081014			•		•			•			•			•			•					
	SUPPORTO DEL VASO ESPANSIONE	60081045				•				•			•			•			•					
1003	ANELLO BICONO D: 6	60022865			•	•	•	•	•	•	•	•	•	•	•	•	•	•	•	•	•			
1004	RACCORDO DEL BICONO	60031269			•	•	•	•	•	•	•	•	•	•	•	•	•	•	•	•	•			
<b>1200</b>	<b>SCAMBIATORE SANITARIO 24 C</b>	60057787			•	•	•														04/89			
	SCAMBIATORE SANITARIO 24 C	61001974					•	•	•	•	•	•	•	•	•	•	•	•	•	•				
	SCAMBIATORE SANITARIO 24 C	61001974			•	•	•														05/89			
1201	ANELLO OR D: 16-1.9	60024183-37			•	•	•	•	•	•	•	•	•	•	•	•	•	•	•	•				
	GUARNIZIONE SCAMBIATORE SANI.	60081215				•	•			•									•					
1202	DADO INGABBIATO M 8	60008686-03			•	•	•	•	•	•	•	•	•	•	•	•	•	•	•	•	•			
1203	VITE HS M 8-16	60031519-03			•	•	•	•	•	•	•	•	•	•	•	•	•	•	•	•	•			
1204	DADO 3/8" SPESS. : 11	60020746-20								•														
1205	GUARNIZIONE	60046451								•														
1206	DISCO OTTURATORE	60001219								•														
1207	TAPPO M 10-100	60036342-08				•	•			•									•					



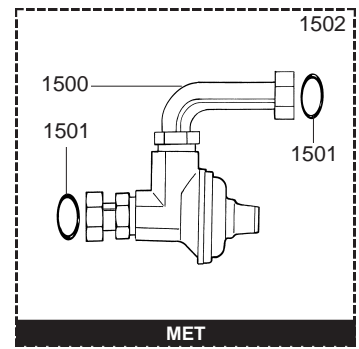
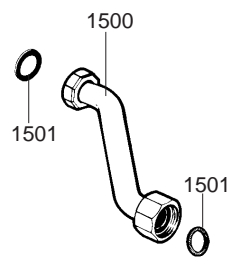
Rifer. figura	Descrizione	Codice	Altra	Tipo	20														Data					
					Multi 20				220 EV				Multi Ventili Top				Celtic 220 RSc				da	a		
					CF	FF	CF	FF	CF	FF	CF	FF	CF	FF	CF	FF	CF	FF	CF	FF				
1300	PLACCA RUBINETTERIA																							
1301	SUPPORTO RUBINETTERIA	60044508			●	●	●	●	●	●	●	●	●	●	●	●	●	●	●	●	●	●	●	
1302	RUBINETTO GAS	60044500																						
	RUBINETTO GAS	60056479			●	●	●	●	●	●	●	●	●	●	●	●	●	●	●	●	●	●	●	
1303	TUBO MANDATA RISCALDAMENTO	60073662			●	●	●	●	●	●	●	●	●	●	●	●	●	●	●	●	●	●	●	05/89
	TUBO MANDATA RISCALDAMENTO	60073662																						
	RUBINETTO MANDATA RISCALDAMEN.	60078587			●	●	●	●	●	●	●	●	●	●	●	●	●	●	●	●	●	●	●	
	RUBINETTO MANDATA RISCALDAMEN.	60078587			●	●	●	●	●	●	●	●	●	●	●	●	●	●	●	●	●	●	●	06/89
1304	TESTA RUBINETTO COMPLETO	60067704			●	●	●	●	●	●	●	●	●	●	●	●	●	●	●	●	●	●	●	
1305	GUARNI. PIANA D: 29.6-25.5-1.5	60061856-04			●	●	●	●	●	●	●	●	●	●	●	●	●	●	●	●	●	●	●	
1306	RUBINETTO RITORNO RISCAL. 3/4"	60044550																						
	RUBINETTO RITORNO RISCALDAMEN.	60055107																						
	RUBINETTO RITORNO RISCALDAMEN.	60060647			●	●	●	●	●	●	●	●	●	●	●	●	●	●	●	●	●	●	●	
1307	TESTA RUBINETTO COMPLETO	60031040			●	●	●	●	●	●	●	●	●	●	●	●	●	●	●	●	●	●	●	
1308	GUARNI. PIANA D: 38-32.2-1.5	60061857-23			●	●	●	●	●	●	●	●	●	●	●	●	●	●	●	●	●	●	●	
1309	FILTRO	60025261			●	●	●	●	●	●	●	●	●	●	●	●	●	●	●	●	●	●	●	
1310	TUBO ARRIVO ACQUA FREDDA	60045325																						
	RUBINETTO ACQUA	60078100			●	●	●	●	●	●	●	●	●	●	●	●	●	●	●	●	●	●	●	
	RUBINETTO ACQUA	60078100			●	●	●	●	●	●	●	●	●	●	●	●	●	●	●	●	●	●	●	06/89
1311	TESTA RUBINETTO COMPLETO	60069115			●	●	●	●	●	●	●	●	●	●	●	●	●	●	●	●	●	●	●	
1312	GUARNIZIONE D: 24.3-21-1.5	60061856-13			●	●	●	●	●	●	●	●	●	●	●	●	●	●	●	●	●	●	●	
1313	TUBO ACQUA CALDA	60078438			●	●	●	●	●	●	●	●	●	●	●	●	●	●	●	●	●	●	●	
	TUBO ACQUA CALDA	60078438			●	●	●	●	●	●	●	●	●	●	●	●	●	●	●	●	●	●	●	06/89
	TUBO ACQUA CALDA SANITARIA	60078766																						
	TUBO ACQUA CALDA SANITARIA	60078974			●	●	●	●	●	●	●	●	●	●	●	●	●	●	●	●	●	●	●	05/89
1314	VITE REGOLAZIONE PORTATA ACQUA	60078500			●	●	●	●	●	●	●	●	●	●	●	●	●	●	●	●	●	●	●	
1315	ANELLO OR D: 8.9-1.9	60024164-13			●	●	●	●	●	●	●	●	●	●	●	●	●	●	●	●	●	●	●	
1316	MANOPOLA DI CONTROLLO	60066107			●	●	●	●	●	●	●	●	●	●	●	●	●	●	●	●	●	●	●	
1317	SERIE GUARNIZIONI	60081061			●	●	●	●	●	●	●	●	●	●	●	●	●	●	●	●	●	●	●	
1318	GUARNI. PIANA D: 24-16.2-1.5	60061855-02			●	●	●	●	●	●	●	●	●	●	●	●	●	●	●	●	●	●	●	
1319	ANELLO OR D: 16.9-2.7	60024164-21			●	●	●	●	●	●	●	●	●	●	●	●	●	●	●	●	●	●	●	
1320	ANELLO OR D: 15.1-2.7	60024164-20			●	●	●	●	●	●	●	●	●	●	●	●	●	●	●	●	●	●	●	
1321	ANELLO OR D: 16-1.9	60024183-37			●	●	●	●	●	●	●	●	●	●	●	●	●	●	●	●	●	●	●	
1325	VITE AUTOFIL. CBL SX D: 6.3-13	61010648			●	●	●	●	●	●	●	●	●	●	●	●	●	●	●	●	●	●	●	
1326	VITE M 6-10	60031527-03			●	●	●	●	●	●	●	●	●	●	●	●	●	●	●	●	●	●	●	
1327	ASTA DI MANOVRA	60078548			●	●	●	●	●	●	●	●	●	●	●	●	●	●	●	●	●	●	●	
1329	SPURGO COMPLETO (Kit)	60081028																					05/89	
	SPURGO COMPLETO (Kit)	60081028																						
1337	CLIP	60031546			●	●	●	●	●	●	●	●	●	●	●	●	●	●	●	●	●	●	●	
1342	TAPPO M 10-100	60036342-08																						
1343	ANELLO OR D: 13.6-2.7	60024164-18																						

1400 VALVOLA DISTRIBUTRICE

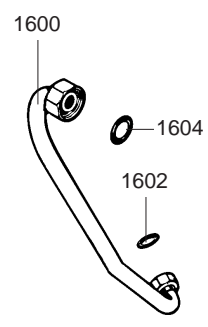


Rifer. figura	Descrizione	Codice	Altra	Tipo	20																Data					
					Multi 20		2-20 EV		Multi Venti Top		Celtic 2-20 RSc		MC 13-20 RSc b		Cantina R Pensotti		Cantina F Pensotti		RS 20 M Electa		M 20 Novagas		da	a		
					CF	FF	CF	FF	CF	FF	CF	FF	CF	FF	CF	FF	CF	FF	CF	FF	CF	FF				
1400	VALVOLA DISTRIBUTRICE COMPLETA	60046899																								
	VALVOLA DISTRIBUTRICE COMPLETA	60076554					●																			
	VALVOLA DISTRIBUTRICE COMPLETA	60078088							●	●				●	●											05/89
	VALVOLA DISTRIBUTRICE COMPLETA	61000850				●		●																		
	VALVOLA DISTRIBUTRICE COMPLETA	61000850					●																			06/89
1402	CLIP	60031764				●	●	●	●	●	●	●	●	●	●	●	●	●	●	●						
1403	MEMBRANA	60025809-30								●																
	MEMBRANA (Serie)	60081016				●	●	●	●	●	●	●	●	●	●	●	●	●	●	●						
	KIT RIPARAZIONE VALVOLA ACQUA	60081238				●																				05/89
1404	VALVOLA CIRCUITO CORTO (Sac.)	60081017				●																				05/89
	VALVOLA CIRCUITO CORTO (Sac.)	60081017				●	●	●	●	●	●	●	●	●	●	●	●	●	●	●						
	VALVOLA CIRCUITO CORTO (Sac.)	60081178										●														
	VALVOLA CIRCUITO CORTO (Sac.)	60081178				●																				06/89
1405	SCATOLA MICROINTERRUTTORI	60046713							●	●	●															
	SCATOLA MICROINTERRUTTORI	60059292				●	●	●			●										●	●				
1406	VALVOLA ACQUA COMPLETA	60076016					●																			05/89
	CORPO INFERIORE V.D.	60078182				●	●	●	●	●	●	●	●	●	●	●	●	●	●	●						
	CORPO INFERIORE V.D.	60078182					●																			06/89
	CORPO INFERIORE V.D.	60081528									●															
1407	VENTURI D: 1.95	60018892-40				●	●	●	●	●	●	●	●	●	●	●	●	●	●	●						
	VENTURI D: 5.4	60032803-08									●															
1408	TAPPO M 10-100	60036342-08										●	●	●	●	●	●	●	●	●						
1409	BIGLIA	60016162																								
1410	ANELLO OR D: 3.4-1.9	60024164-05				●		●																		
	SERIE DIAFRAMMI D: 7	60038901-08																								
1411	SPURGO COMPLETO (Kit)	60081028				●	●	●	●	●	●	●	●	●	●	●	●	●	●	●						
1412	VITE M 5-15	60031088-03				●																				
	VITE HX M 5-12	61010131				●	●	●	●	●	●	●	●	●	●	●	●	●	●	●						
1413	GUARNIZIONI VALVOLA DISTRIBU.	60081239				●																				
	GUARNIZIONI DELLA VALVOLA DIS.	60081279				●	●	●	●	●	●	●	●	●	●	●	●	●	●	●						
1415	ANELLO OR D: 16-1.9	60024183-37				●	●	●	●	●	●	●	●	●	●	●	●	●	●	●						
1416	ANELLO OR D: 11.1-1.78	60024183-38				●	●	●	●	●	●	●	●	●	●	●	●	●	●	●						
1418	ANELLO OR D: 19.8-3.6	60024164-24				●	●	●	●	●	●	●	●	●	●	●	●	●	●	●						
1420	RUBINETTO RIEMPIMENTO	60030959										●														
1421	GUARNI. PIANA D: 23.9-20.1-1.5	60061855-03																								
1422	GUARNI. PIANA D: 15-8.5-1.5	60030867																								
1423	VITE	60070999					●																			05/89
	OTTURATORE ANTI-RITORNO (Con.)	60081027				●	●	●	●	●	●	●	●	●	●	●	●	●	●	●						
	OTTURATORE ANTI-RITORNO (Con.)	60081027					●																			06/89
	OTTURATORE BY-PASS (Sacchetto)	60081182																								
1425	CLIPS	60058362					●																			05/89
1426	REGOLATORE ACQUA	60031055										●														
1427	DIAFRAMMA ACQUA D: 4.42	60023206-03																								
1428	ANELLO OR D: 8.9-1.9	60024164-13					●																			05/89
	ANELLO OR D: 8.9-1.9	60024164-13																								
1429	OTTURATORE RISCALDAMENTO	60075199					●																			05/89
	OTTURATORE RISCALDA. (Sacche.)	60081237				●	●	●	●	●	●	●	●	●	●	●	●	●	●	●						
	OTTURATORE RISCALDA. (Sacche.)	60081237					●																			06/89
	OTTURATORE RISCALDAMENTO	60100506-30																								
1430	ANELLO OR D: 5.7-1.9	60024164-10																								
1431	SELETTORE DI TEMPERATURA COM.	60031993																								
1432	ANELLO OR D: 4.2-1.9	60024164-08																								
1435	MICROINTERRUTTORE	60034881																								
	MICROINTERRUTTORE	61001156				●	●																			
	MICROINTERRUTTORE	61001157				●	●	●	●	●	●	●	●	●	●	●	●	●	●	●						
1436	TAPPO 3/8"	60043784-08				●	●	●	●	●	●	●	●	●	●	●	●	●	●	●						
1437	GUARNI. PIANA D: 20.1-17.1-1.5	60061855-09				●	●	●	●	●	●	●	●	●	●	●	●	●	●	●						
1438	CLIP	60025076-03				●	●	●	●	●	●	●	●	●	●	●	●	●	●	●						
1439	TUBO ALTA PRESSIONE	60078727					●																			05/89
1441	TUBO BASSA PRESSIONE	60079025					●																			05/89
1442	PREMISTOPPA	60031073				●	●	●	●	●	●	●	●	●	●	●	●	●	●	●						
1457	RONDELLA D: 16-6.2-0.5	60031280-01				●	●	●	●	●	●	●	●	●	●	●	●	●	●	●						
1458	FILTRO	60031226																								
	FILTRO	61008934										●	●				●	●	●	●						
1459	ANELLO OR D: 22-2	60024959-03										●	●	●	●	●	●	●	●	●						
1460	TAPPO	61008933										●	●				●	●	●	●						

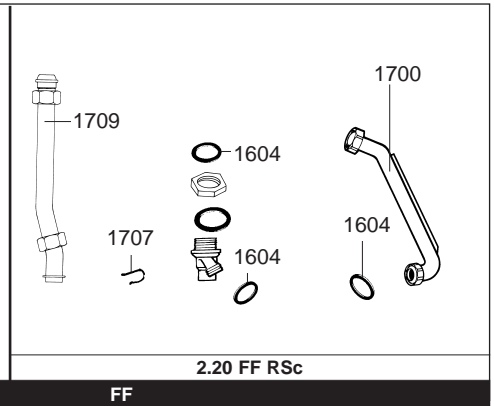
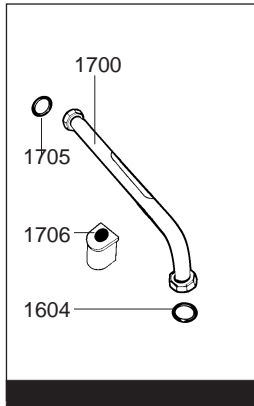
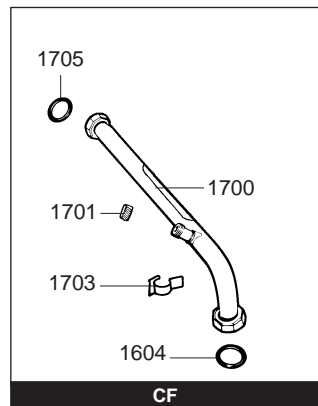
1500



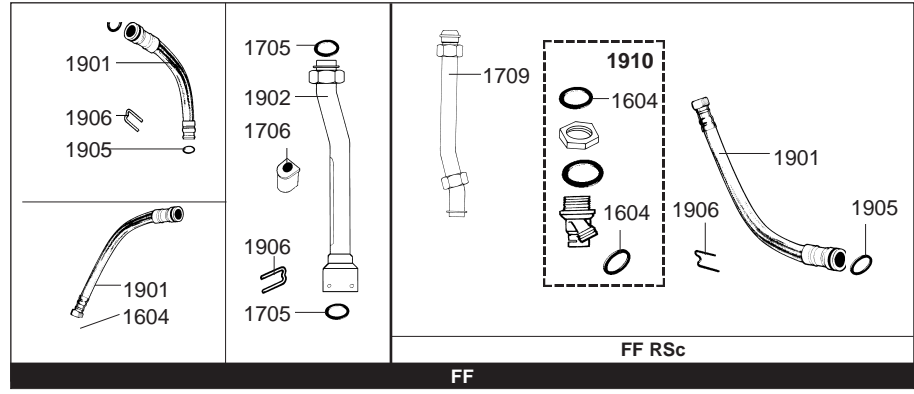
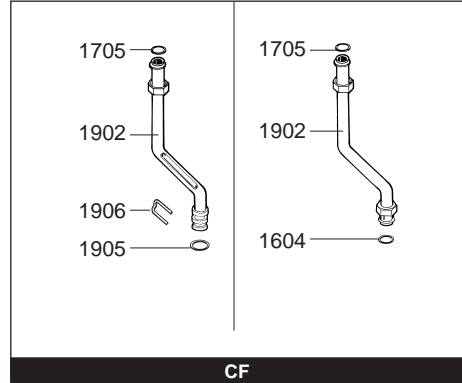
1600



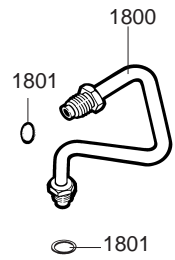
1700



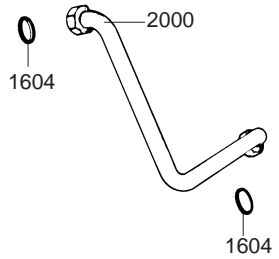
1900



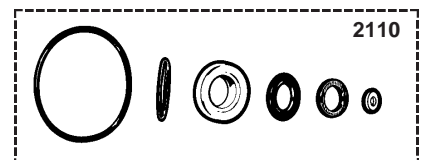
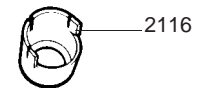
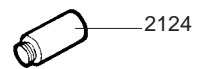
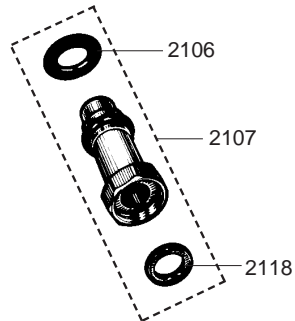
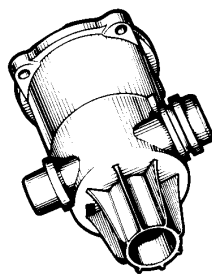
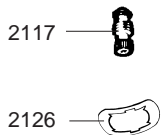
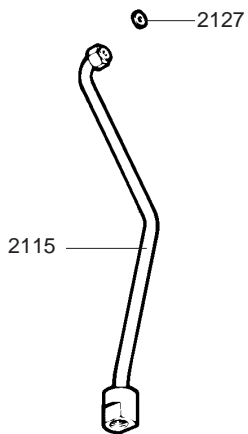
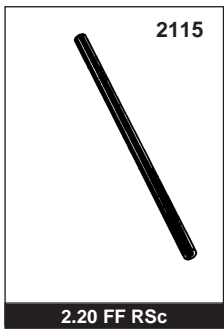
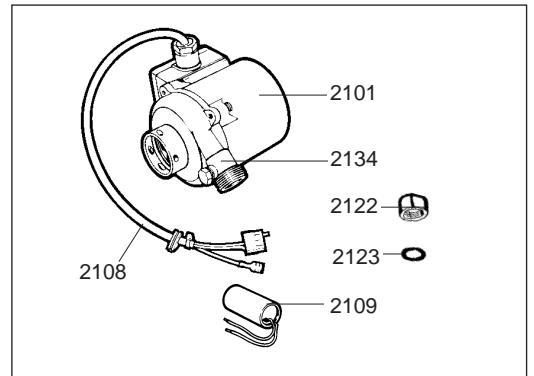
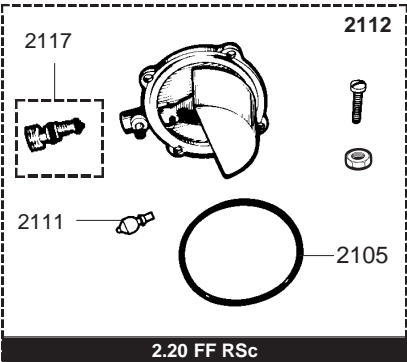
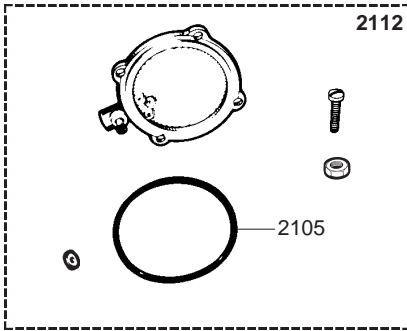
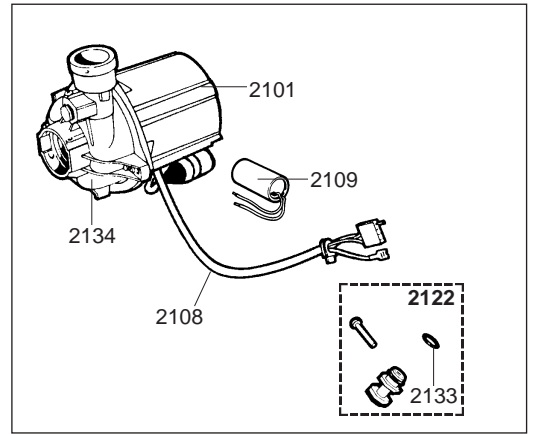
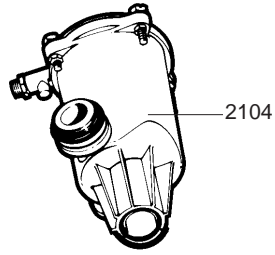
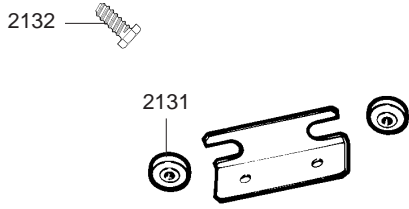
1800



2000

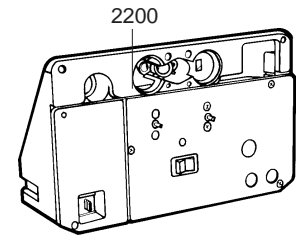
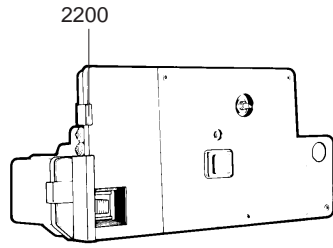


Rifer. figura	Descrizione	Codice	Altra	Tipo	20																Data							
					Multi 20				Multi Ventiti Top				Celtic 20 RSc				20				da	a						
					CF	FF	CF	FF	CF	FF	CFa	FF	CF	FF	CF	FF	CF	FF	CF	FF								
1500	TUBO GAS	60074041																										
	TUBO GAS	60074041		GPL	•	•	•					•				•			•									
	TUBO GAS	60062316		MET																								
1501	GUARNI. PIANA D: 24-18.2-1.5	60022835-01			•	•	•	•	•	•	•	•	•	•	•	•	•	•	•	•	•	•	•	•	•	•	•	•
1502	REGOLATORE GAS	60075742		MET	•	•	•					•	•	•				•										
	REGOLATORE GAS	60078924		MET		•			•	•			•					•			•							
1600	TUBO ACQUA FREDDA VD A SCAMB.	60078128			•	•	•	•	•	•			•	•				•	•	•	•	•	•	•	•	•	•	•
	TUBO ACQUA FREDDA VD A SCAMB.	61001209									•																	
1602	ANELLO OR D: 11.1-1.78	60024183-38									•																	
1604	ANELLO OR D: 16-1.9	60024183-37			•	•	•	•	•	•	•	•	•	•	•	•	•	•	•	•	•	•	•	•	•	•	•	•
1700	TUBO VD A PORTA SONDA	60074749-08				•						•															•	
	TUBO DA VD A CDC	60078126-08					•					•						•			•							
	TUBO DA VD A CDC	60078955							•	•			•					•			•							
1701	DADO M 14-0.75	60064552			•		•	•				•						•			•						•	
1703	CLIP	60078502						•				•						•			•							
1705	ANELLO OR D: 16.1-1.6	60024184-35			•		•	•	•	•			•	•	•	•	•	•	•	•	•	•	•	•	•	•	•	•
1706	PASSA-TUBO D: 18	60072075						•	•				•					•			•							
1707	CLIP	60031546				•					•																•	
1709	TUBO RACCORDO	60074745-08				•					•																•	
1800	TUBO DI RIEMPIMENTO	60074202-08																									•	
	TUBO DI RIEMPIMENTO	60078123			•	•	•	•	•	•			•	•				•	•	•	•	•	•	•	•	•	•	•
	TUBO BY-PASS	61007118											•															
1801	ANELLO OR D: 6-1	60024164-41						•	•	•			•	•	•	•	•	•	•	•	•	•	•	•	•	•	•	•
1900	TUBO DI MANDATA POMPA																											
	FLESSIBILE	60062568																										•
1901	FLESSIBILE	60059370				•						•																
	FLESSIBILE	61004681											•								•							
	FLESSIBILE	61004705							•																			
1902	TUBO DI MANDATA POMPA	61001552			•		•					•			•	•				•								•
	TUBO DI MANDATA POMPA	61001574						•																				
	TUBO DI MANDATA POMPA	61004680											•								•							
	TUBO DI MANDATA POMPA	61008713											•															
1905	ANELLO OR D: 16-5	60024959-12			•	•	•	•	•	•			•	•	•	•	•	•	•	•	•	•	•	•	•	•	•	•
1906	CLIP	60031764				•			•			•	•	•	•	•	•	•	•	•	•	•	•	•	•	•	•	•
1910	RACCORDO PORTA SONDA (Confé.)	60081191				•						•																•
2000	TUBO DI RICIRCOLO	60072476			•	•	•	•	•	•	•	•	•	•	•	•	•	•	•	•	•	•	•	•	•	•	•	•





Rifer. figura	Descrizione	Codice	Altra	Tipo	20														Data							
					Multi 20		220 EV		Multi Venti Top		Celtic 220 RSc		MC 13-20 RSc		Cantina R Rsc b		Cantina Pensotti		Cantina F Pensotti		RS 20 M Electa		M 20 Novagas		da	a
					CF	FF	CF	FF	FFa	FF	CF	FF	CF	FF	CF	FF	CF	FF	CF	FF	CF	FF	CF	FF		
<b>2100</b>	<b>POMPA</b>																									
2101	POMPA 1 VELOCITA (D)	60073887			•	•	•				•	•									•					
	POMPA 2 VELOCITE (D)	61001959										•	•	•	•	•	•	•	•	•						
	POMPA UP 15/50 230V	61010612						•	•	•											•					
2102	ANELLO OR D: 27.8-3.6	60024164-35			•	•	•	•	•	•	•	•	•	•	•	•	•	•	•	•	•					
2103	CLIP	60030898-03			•	•	•	•	•	•	•	•	•	•	•	•	•	•	•	•	•					
2104	DEGASATORE	60037374								•											•					
	DEGASATORE (Sacchetto)	60081019			•	•	•	•	•	•	•	•	•	•	•	•	•	•	•	•	•					
2105	GUARNIZIONE (/Degasatore)	60053847			•	•	•	•	•	•	•	•	•	•	•	•	•	•	•	•	•					
2106	ANELLO OR D: 16-5	60024959-12			•	•	•	•	•	•	•	•	•	•	•	•	•	•	•	•	•					
2107	RACCORDO DEGASATORE (Sacche.)	60081020			•	•	•	•	•	•	•	•	•	•	•	•	•	•	•	•	•					
2108	CABLAGGIO DELLA POMPA (2 VEL.)	61004115						•	•	•											•					
2109	CONDENSATORE (1 VELOCITA)	60028463			•		•				•										•					
	CONDENSATORE	61000652-10						•	•	•											•					
	CONDENSATORE (2 VELOCITA)	61004625										•	•	•	•	•	•	•	•	•						
2110	GUARNIZIONI DEGASATORE	60081024			•	•	•	•	•	•	•	•	•	•	•	•	•	•	•	•	•					
2111	OTTURATORE DEGASATORE	60035750						•													•					
2112	COPERCHIO DEGASATORE (Sacche.)	60035748						•													•					
	COPERCHIO DEGASATORE (Sacche.)	60081388			•	•	•	•	•	•	•	•	•	•	•	•	•	•	•	•	•					
2115	TUBO PVC D: 9 LUNG: 315	60030900						•													•					
	TUBO DEL DEGASATORE	61000587			•	•	•	•	•	•	•	•	•	•	•	•	•	•	•	•	•					
2116	DISTANZIATORE	60044845						•													•					
2117	SPURGO COMPLETO (Kit)	60081028			•	•	•	•	•	•	•	•	•	•	•	•	•	•	•	•	•					
	SPURGO COMPLETO (Kit)	60081421								•																
2118	GUARNI. PIANA D: 24-16.2-1.5	60061855-02			•	•	•	•	•	•	•	•	•	•	•	•	•	•	•	•	•					
2120	SILENZIATORE	60025136			•	•	•	•	•	•	•	•	•	•	•	•	•	•	•	•	•					
2121	AMMORTIZZATORE	60049974						•													•					
2122	TAPPO M 10-100	60015709			•		•	•	•	•											•					
	RACCORDO ALTA PRESSIONE	60045583						•													•					
	TAPPO ALTA PRESSIONE	60081332								•	•	•	•	•	•	•	•	•	•	•						
2123	RONDELLA D: 8.8-3.25	60054118			•		•	•	•	•											•					
2124	RIALZAMENTO	60079438					•														•					
2126	FERMAGLIO TUBO SPURGO ARIA MUL	60074376			•	•	•	•	•	•	•	•	•	•	•	•	•	•	•	•	•					
2127	GUARNI. PIANA D: 8.5-4.1-1.5	60061852-12			•	•	•	•	•	•	•	•	•	•	•	•	•	•	•	•	•					
2131	PASSAFILO	60015016			•	•	•	•	•	•	•	•	•	•	•	•	•	•	•	•	•					
2132	VITE AUTOFIL. CBLX D: 6.3-13	61010648			•	•	•	•	•	•	•	•	•	•	•	•	•	•	•	•	•					
2133	ANELLO OR D: 5.7-1.9	60024183-10					•			•	•	•	•	•	•	•	•	•	•	•	•					
2134	CORPO POMPA (Confezione)	60081029			•	•	•			•	•	•	•	•	•	•	•	•	•	•	•					
	CORPO POMPA E GUARNI. (Sac.)	60081761			•	•	•			•	•	•	•	•	•	•	•	•	•	•	•					



2253

2254

2235

2221

2221

2201

2206

2203

2204

2230

2245

2233

2232

2214

2233

2232

2215

2234

2208

CF

2208

FF

2237

2240

2253

2225

2249

2200

2244

2253

2206

2221

2230

2205

2207

2212

2250

2236

2215

2234

2208

2274

2240

2249

2246

2225

2258

20 RSc b

2253

2254

2235

2221

2221

2201

2206

2230

2245

2233

2232

2214

2233

2232

2215

2234

2208

2274

2240

2249

2246

2225

2258

2200

2244

2253

2206

2221

2230

2205

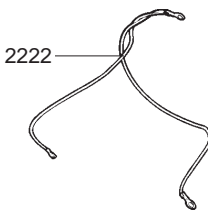
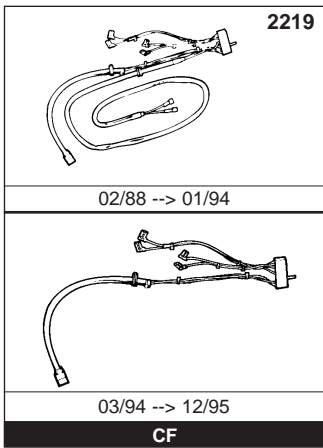
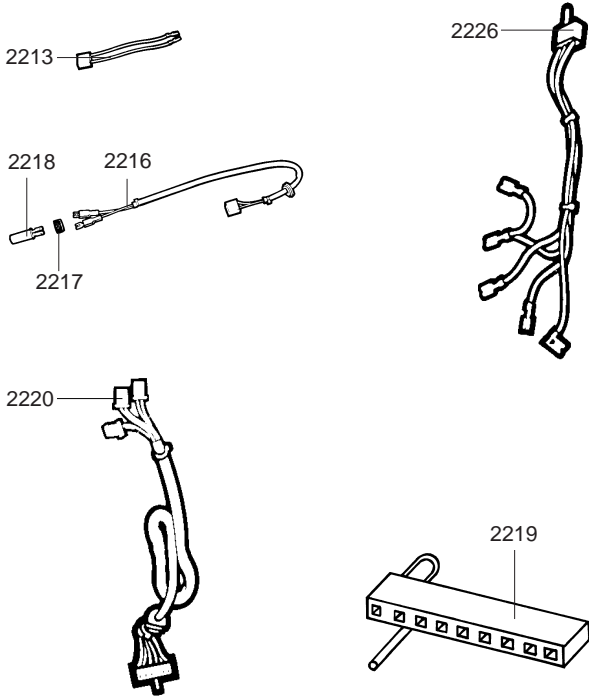
2207

2212

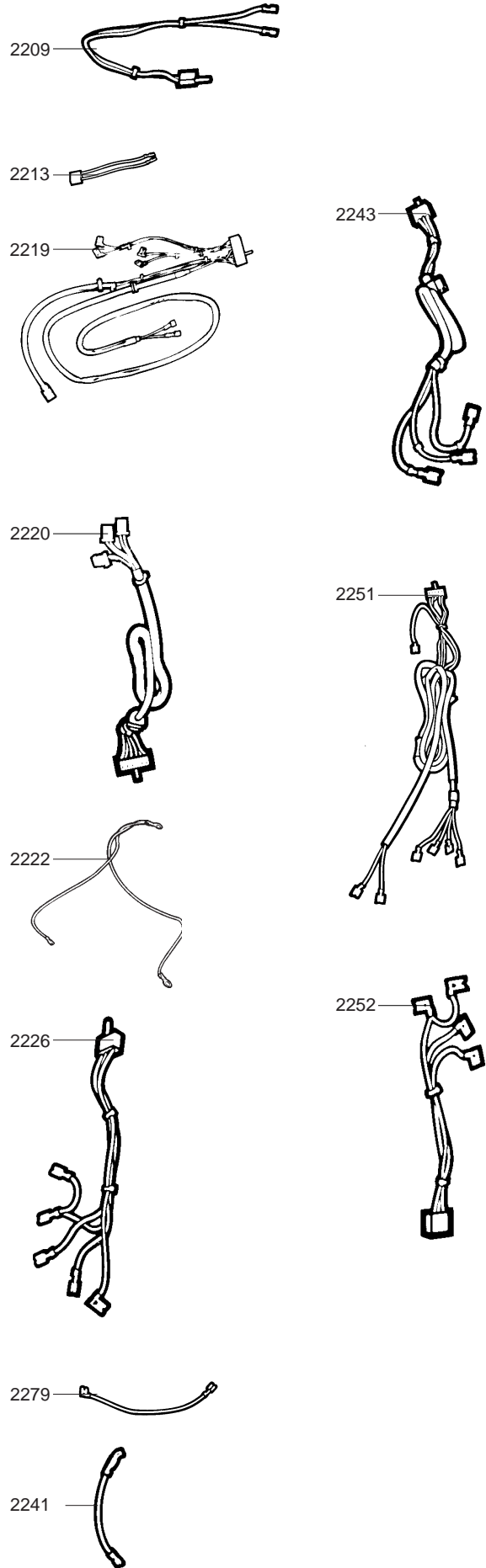
2250

2.20 FF RSc

Rifer. figura	Descrizione	Codice	Altra	Tipo	20														Data					
					Multi 20		220 EV		Multi Venti Top		Celtic 220 RSc		MC 13-20 RSc b		Cantina R Pensotti		Cantina F Pensotti		RS 20 M Electa		M 20 Novagras		da	a
					CF	FF	CF	FF	FFa	FF	CF	FF	CF	FF	CF	FF	CF	FF	CF	FF	CF	FF		
2200	SCATOLA ELETTRICA	60058890																						
	SCATOLA ELETTRICA COMPLETA	61008831																						
2201	CIRCUITO STAMPATO	60060474																				05/93		
	CIRCUITO STAMPATO	60074023																						
	CIRCUITO STAMPATO	60078218																						
	CIRCUITO STAMPATO	60079932																						
2203	POTENZIOMETRO	60078577																						
2204	DADO H 10-0.75	60078576																						
2205	PORTAFUSIBILE	60044799-10																						
	PORTAFUSIBILE NERO	61009091																						
2206	CALOTTA DI PROTEZIONE	60044800-10																						
2207	FUSIBILE 220V 630mA	60045234																						
	FUSIBILE 250V 2A	60054442																						
2208	TRASFORMATORE ACCENSIONE	60034269																						
	TRASFORMATORE ACCENSIONE	60046009-10																						
2212	CONDENSATORE (1 VELOCITA)	60028463																						
	CONDENSATORE (2 VELOCITA)	61004625																						
2214	ACQUOSTATO 57°C (Sacchetto)	60100606-30																						
2215	TERMOSTATO RISCALDAMENTO 85°C	60056974																						
2221	VITE DI MASSA (Sacchetto)	60081169																						
	VITE DI MASSA (Sacchetto)	60081169																				12/90		
	VITE DI MASSA (Sacchetto)	60081169																				05/91		
	VITE DI MASSA (Sacchetto)	60081169																				09/91		
	BARRETTA DI CONNESSIONE	61002725																						
	BARRETTA DI CONNESSIONE	61002725																				06/93		
2225	INTERRUTTORE NERO	60074094																						
	INTERRUTTORE NERO	60078572-10																						
	INTERRUTTORE	61004828																						
2230	VITE CBLZ D: 3.5-10	61004804-10																						
2232	ANELLO OR D: 7.2-1.9	60024164-12																						
2233	CLIP	60031546																						
2234	CLIP	60078502																						
2235	DADO H M 6-1	60009521-03																						
	DADO H M 6-1	60026501-03																						
2236	PASSAFILO	60027837																						
2237	SUPPORTO SCATOLA ELETTRICA	60074925																						
2240	COPERCHIO SCATOLA ELETTRICA	60058196																						
	COPERCHIO SCATOLA ELETTRICA	60078571																						
	COPERCHIO SCATOLA ELETTRICA	61004692																						
2244	SUPPORTO SCATOLA ELETTRICA	60079087																						
	SUPPORTO SCATOLA	60079755																						
2245	TERMOSTATO REGOLABILE (Sac.)	60081420																						
	TERMOSTATO REGOLABILE (Sac.)	60081426																						
2246	CRONORUTTORE 14H	60030697																						
2249	VITE F90Z D: 3.5-16	61004804-20																						
2250	PASSAFILO	60027838																						
2253	VITE AUTOFIL. CBL SX D: 6.3-13	61010648																						
2254	VITE HS M 6-25	60010942-13																						
2258	VITE M 4-6	60019197-03																						
2274	DISTANZIATORE	60044556																						

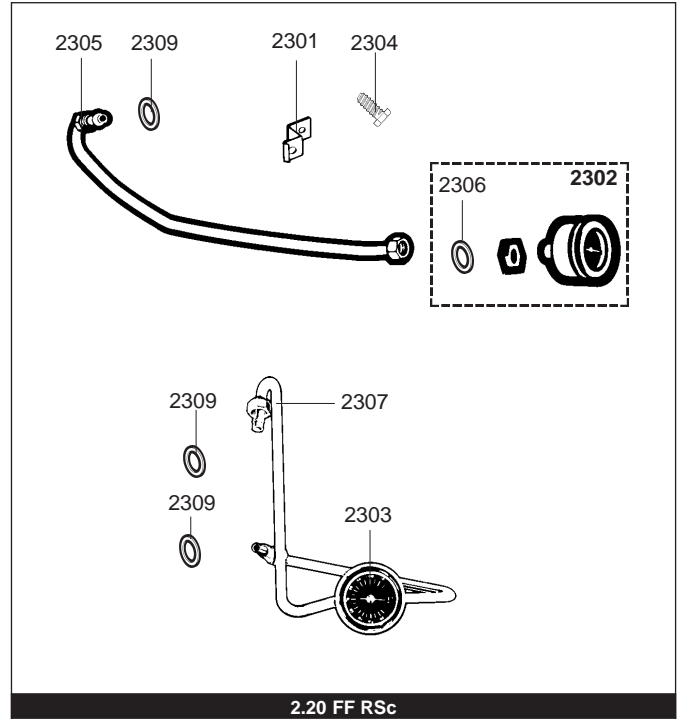
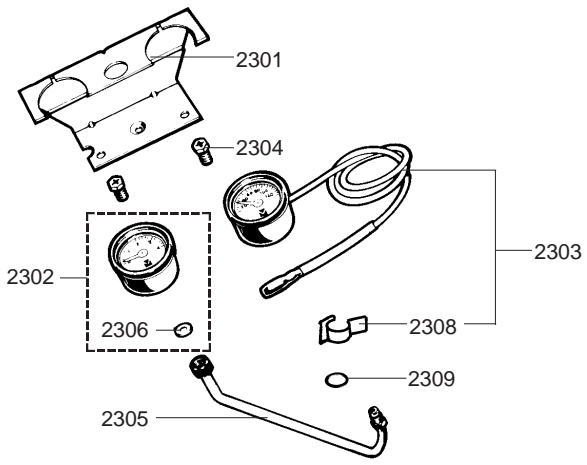


CF



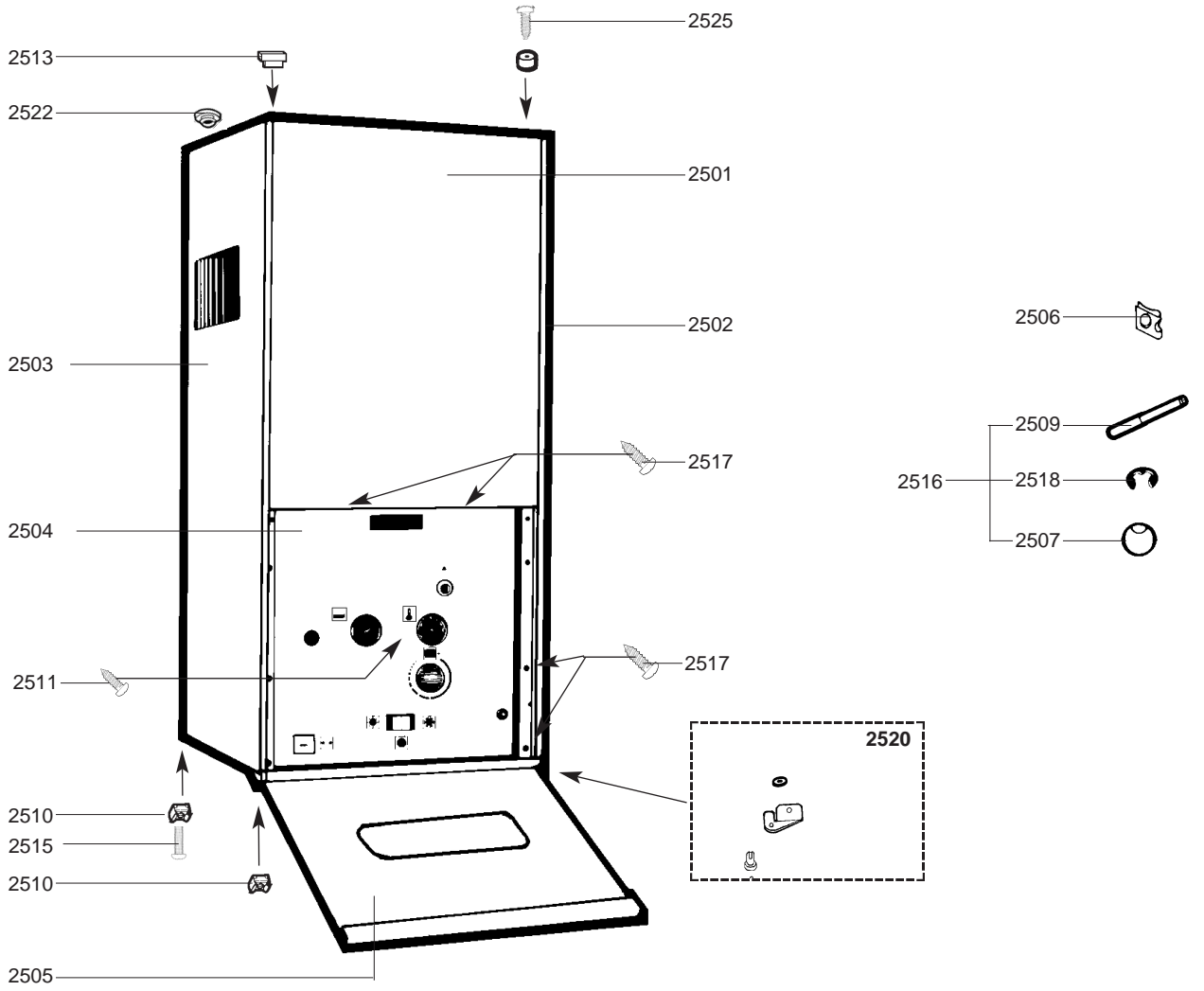
FF

Rifer. figura	Descrizione	Codice	Altra	Tipo	20														Data					
					Multi 20		220 EV		Multi Venti Top		Celtic 220 RSc		MC 13-20 RSc b		Cantina R Pensotti		Cantina F Pensotti		RS 20 M Electa		M 20 Novagas		da	a
					CF	FF	CF	FF	FFa	FF	CF	FF	CF	FF	CF	FF	CF	FF	CF	FF	CF	FF		
<b>2200</b>	<b>CABLAGGIO</b>																							
2209	CABLAGGIO TRASFORMATORE ACC.	60058884				•				•														
	CABLAGGIO TRASFORMATORE ACC.	60078557						•	•				•				•							
2213	CABLAGGIO CONDENSATORE	60076005							•	•														
2216	CABLAGGIO TERMISTORE	60078970						•		•	•		•	•			•							
2217	DADO M 14-0.75	60064552						•		•	•		•	•			•							
2218	TERMISTORE	60064153						•		•	•		•	•			•							
2219	CABLAGGIO VALVOLA DISTRIBUTRI.	60054615				•	•	•		•										•	•			
	CABLAGGIO VALVOLA DISTRIBUTRI.	60079226						•	•								•		•					
	CABLAGGIO VALVOLA DISTRIBUTRI.	60079226								•												12/90 04/93		
	CABLAGGIO VALVOLA DISTRIBUTRI.	60079226								•												05/91 04/93		
	CABLAGGIO VALVOLA DISTRIBUTRI.	60079226															•					09/91 04/93		
	SHUNT	61007014																				09/91 04/93		
	CABLAGGIO VD-57-85-TTB	61008801								•							•					05/93		
	CABLAGGIO SICUREZZA TTB	61008826																				05/93		
2220	CABLAGGIO ELETTROVALVOLE	60054639				•	•	•			•										•	•		
	CABLAGGIO ELETTROVALVOLE	60078965						•	•	•	•		•	•	•	•	•							
	CABLAGGIO ELETTROVALVOLE	61007013																						
2222	CABLAGGIO DI MASSA	60053319																				•		
	CABLAGGIO DI MASSA	61008269								•														
	CABLAGGIO DI MASSA	61008269						•	•				•	•	•	•	•	•				06/93		
2226	CABLAGGIO INTER-CRONO	60045053				•		•													•			
	CABLAGGIO INTERRUTTORE	60058888						•														•		
	CABLAGGIO INTERRUTTORE	60078573						•	•	•			•	•		•	•	•						
	CABLAGGIO INTERRUTTORE	61004831																						
2241	CABLAGGIO ELETTRODO	60039443						•		•	•		•			•	•					•		
2243	CABLAGGIO PULSANTE GAS	60058886						•		•	•		•			•	•					•		
2251	CABLAGGIO ESTRATTORE	60074516																						
	CABLAGGIO ESTRATTORE	61004678								•						•	•							
2252	CABLAGGIO ACQUOSTATO	60054713						•														•		
	CABLAGGIO ACQUOSTATO	60069047																						
	CABLAGGIO TERMOSTATO	61004701								•	•					•	•							
2279	CONNETTORE CON CAVO	60045052								•														



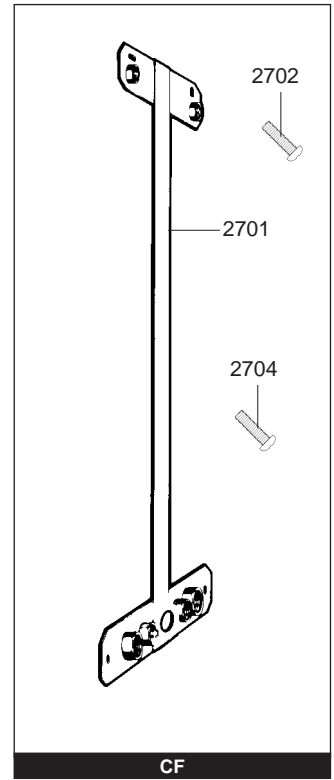
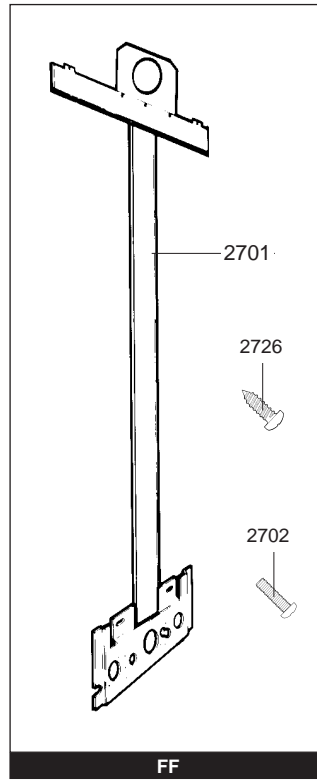
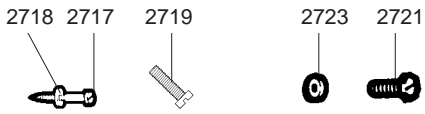
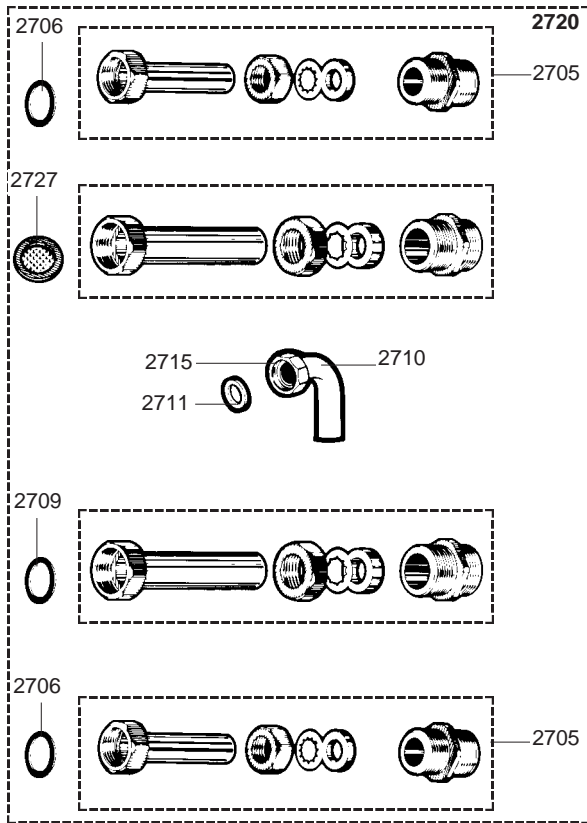
2.20 FF RSc

Rifer. figura	Descrizione	Codice	Altra	Tipo	20														Data			
					Multi 20		220 EV		Multi Venti Top		Celtic 220 RSc		MC 13-20 RSc b		Cantina R Pensotti		Cantina F Pensotti		RS 20 M Electa	M 20 Novagras	da	a
					CF	FF	CF	FF	FFa	FF	CF	FF	CF	FF	CF	FF	CF	FF				
<b>2300</b>	<b>GRUPPO MANOMETRO E TERMOMETRO</b>																					
2301	STAFFA DI SUPPORTO	60070284																				
	STAFFA DI SUPPORTO	60078362				•																
2302	MANOMETRO COMPLETO (Sacchetto)	60081021																				
	MANOMETRO COMPLETO (Sacchetto)	60081180				•																
	MANOMETRO COMPLETO (Sacchetto)	60081348																				
2303	TERMOMETRO	60044333				•	•	•														
	TERMOMETRO COMPLETO	60081022																				
2304	VITE AUTOFIL. CBLX D: 6.3-13	61010648				•	•	•	•	•	•	•	•	•	•	•	•	•	•	•		
2305	TUBO MANOMETRO	61000254				•		•	•	•	•											
	TUBO MANOMETRO	61000257					•															
2306	GUARNI. PIANA D: 8.5-4.1-1.5	60061852-12				•	•	•	•	•	•	•	•	•	•	•	•	•	•	•		
2307	TUBO TERMOMETRO	60054028																				
	TUBO TERMOMETRO	60074042					•															
	TUBO TERMOMETRO	60074042																		05/89		
2308	CLIP	60078502				•		•	•	•	•	•	•	•	•	•	•	•	•			
2309	ANELLO OR D: 6-1	60024164-41																				

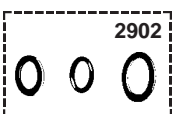
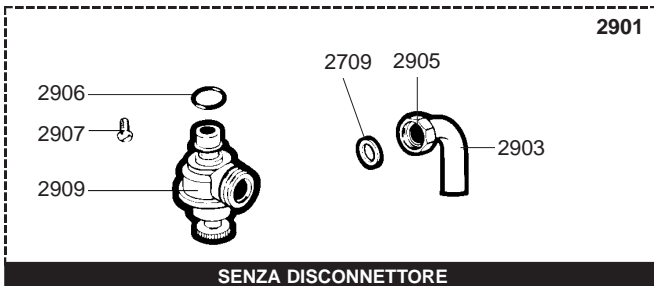




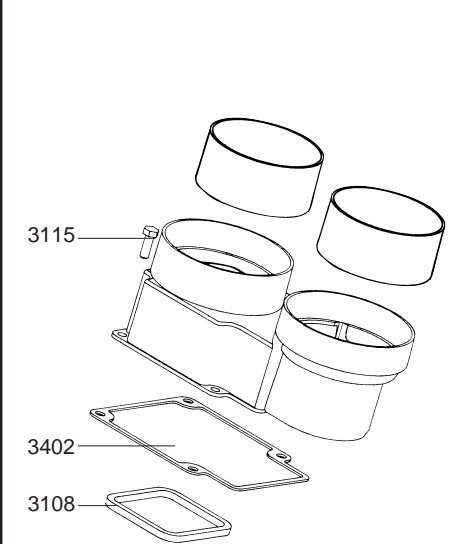
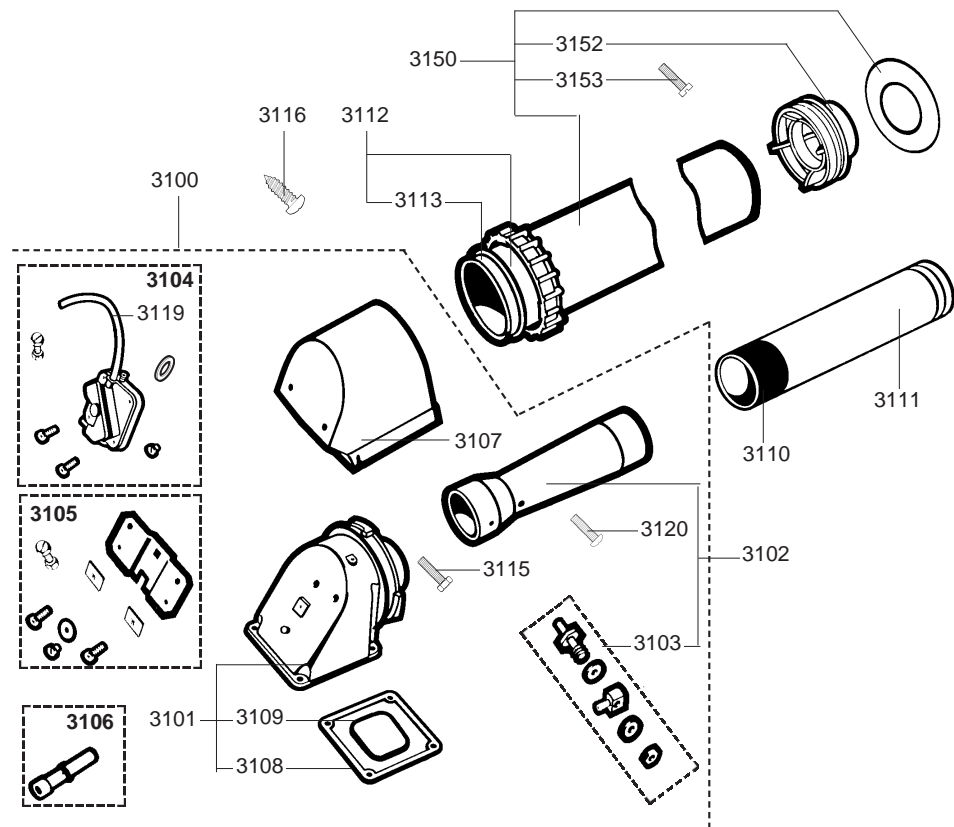
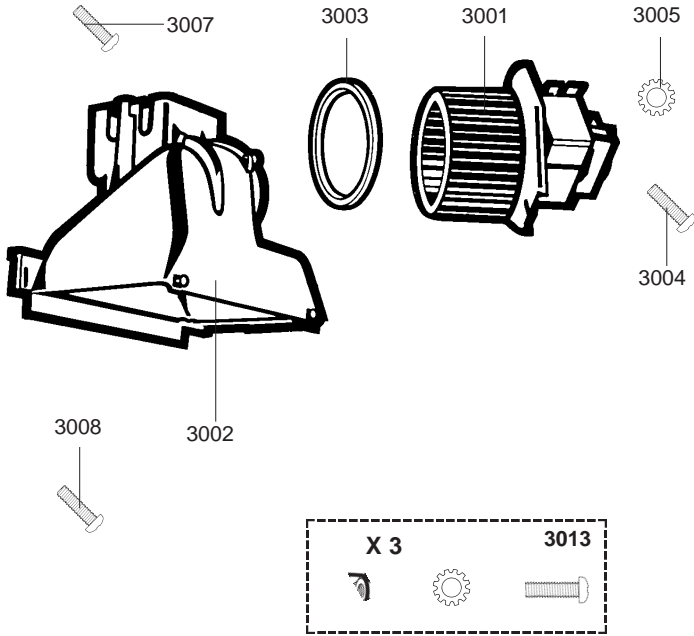
Rifer. figura	Descrizione	Codice	Altra	Tipo	20														Data					
					Multi 20		220 EV		Multi Venti Top		Celtic 220 RSc		MC 13-20 RSc b		Cantina R Pensotti		Cantina F Pensotti		RS 20 M Electa		M 20 Novaggas		da	a
					CF	FF	CF	FF	FFa	FF	CF	FF	CF	FF	CF	FF	CF	FF	CF	FF	CF	FF		
2500	MANTELLINO																							
2501	PANNELLO FRONTALE	60044226-06				•		•	•															
2502	PANNELLO LATERALE DESTRO	60059196								•														
	PANNELLO LATERALE DESTRO	60074321				•																		
	PANNELLO LATERALE DESTRO	61001923							•								•				•			
2503	PANNELLO LATERALE SINISTRO	60044201							•															
	PANNELLO LATERALE SINISTRO	60059197								•														
	PANNELLO LATERALE SINISTRO	60074322				•											•				•			
	PANNELLO LATERALE SINISTRO	60078584					•															•		
	PANNELLO LATERALE SINISTRO	61001924							•															
	PANNELLO LATERALE SINISTRO	61007134										•					•							
2504	PANNELLO SERIGRAFATO	60059599								•														
2505	SPORTELLINO COMPLETO	60046671								•														
2506	DADO A GRAFFA	60063603								•											•			
2507	MANOPOLA DI CONTROLLO BLU	60044269								•														
	MANOPOLA POTENZIOMETRO	60078181									•										•			
2509	PULSANTE GAS BLU	60059600									•													
	PULSANTE NERO	60059600-10										•												
	PULSANTE + PROLUNGA NERO	60074028										•			•	•					•			
	PULSANTE + PROLUNGA BLU	60074539																						
	PULSANTE + PROLUNGA NERO	60077877																						
	PULSANTE + PROLUNGA NERO	61004243																						
2510	DADO INGABBIATO M 6	60004806-03					•	•	•	•	•	•	•	•	•	•	•	•	•	•	•	•		
2511	VITE CLS M 6-14	60014044					•	•	•	•	•	•	•	•	•	•	•	•	•	•	•	•		
2513	TAPPO DI OTTURAZIONE	60044834					•	•	•	•	•	•	•	•	•	•	•	•	•	•	•	•		
2515	VITE M 6-10	60031527-03					•	•	•	•	•	•	•	•	•	•	•	•	•	•	•	•		
2516	MANOPOLA (Sacchetto)	60078200										•												
	MANOPOLE (Sacchetto)	60078207																						
	MANOPOLE (Sacchetto)	60100047-10										•												
	MANOPOLE (Sacchetto)	61004448																						
2517	VITE AUTOFIL. CBLX D:4.2-9.5	61010125					•	•	•	•	•	•	•	•	•	•	•	•	•	•	•	•		
2518	CLIP	60078784					•			•			•		•				•					
2520	KIT RIPARAZIONE CERNIERA	60081389																						
	KIT RIPARAZIONE CERNIERA	60081418																						
2522	PASSAFILO	60078378																						
2525	VITE AUTOFIL. CBLZ D: 3.9-9.5	60050460-03					•	•	•	•	•	•	•	•	•	•	•	•	•	•	•	•		



2900

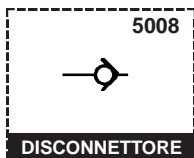
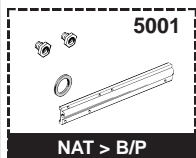


Rifer. figura	Descrizione	Codice	Altra	Tipo	20												Data			
					Multi 20				Multi Ventti Top				Celtic 20 RSc						da	a
					CF	FF	CF	FF	CF	FF	FFa	FF	CF	FF	CF	FF	CF	FF	CF	FF
<b>2700</b>	<b>COMPONENTI PER L'INSTALLAZIONE</b>																			
2701	SUPPORTO MURALE (Sacchetto)	60081425																		
2702	VITE HS M 6-25	60010942-13			•	•	•	•	•	•	•	•	•	•	•	•	•			
2704	VITE M 6-10	60031527-03			•	•	•	•	•	•	•	•	•	•	•	•	•			
2705	CURVA DI RACCORDO	60032821			•	•	•	•	•	•	•	•	•	•	•	•	•			
2706	GUARNI. PIANA D: 24-16.2-1.5	60061855-02			•	•	•	•	•	•	•	•	•	•	•	•	•			
	GUARNI. PIANA D: 24-17-1.5	60061855-19							•											
2709	GUARNI. PIANA D: 18.4-12.2-1.5	60061855-14			•	•	•	•	•	•	•	•	•	•	•	•	•			
2710	CURVA DI RACCORDO	60045768			•	•	•	•	•	•	•	•	•	•	•	•	•			
	CURVA DI RACCORDO	60055675			•	•	•	•	•	•	•	•	•	•	•	•	•			
2711	GUARNI. PIANA D: 24-18.2-1.5	60022835-01			•	•	•	•	•	•	•	•	•	•	•	•	•			
	GUARNI. PIANA D: 24-16.2-1.5	60022835-02			•	•	•	•	•	•	•	•	•	•	•	•	•			
2715	DADO 3/4" SPESS. : 10.5	60020748-30			•	•	•	•	•	•	•	•	•	•	•	•	•			
	DADO 3/4"	60020748-68			•	•	•	•	•	•	•	•	•	•	•	•	•			
2716	SQUADRA FISSAGGIO	60031952			•	•	•	•	•	•	•	•	•	•	•	•	•			
2717	VITE SUPPORTO	60025617-03			•	•	•	•	•	•	•	•	•	•	•	•	•			
2718	RONDELLA D: 14.2-7.2-1.2	60005369-03			•	•	•	•	•	•	•	•	•	•	•	•	•			
2719	VITE M 6-6	60003054-03			•	•	•	•	•	•	•	•	•	•	•	•	•			
2720	CURVA (Sacchetto)	60079919			•	•	•	•	•	•	•	•	•	•	•	•	•			
	SACCHETTO RACCORDI COMPLETO	60079920			•	•	•	•	•	•	•	•	•	•	•	•	•			
2721	VITE M 10-30	60047690			•	•	•	•	•	•	•	•	•	•	•	•	•			
2723	RONDELLA D: 27-11-1.5	60050150			•	•	•	•	•	•	•	•	•	•	•	•	•			
2724	VITE AUTOFIL. CBLZ D: 3.5-6.5	60031521-03			•	•	•	•	•	•	•	•	•	•	•	•	•			
2725	GUARNIZIONI PREFABBRICAZIONE	60081064			•	•	•	•	•	•	•	•	•	•	•	•	•			
2726	VITE AUTOFIL. CBL SX D:4.2-9.5	61010125			•	•	•	•	•	•	•	•	•	•	•	•	•			
2727	FILTRO ACQUA	61004418																		
<b>2900</b>	<b>VALVOLA DI SICUREZZA</b>																			
2901	VALVOLA SICUREZZA (Sacchetto)	61001900																		
	VALVOLA SICUREZZA (Sacchetto)	61004632			•	•	•	•	•	•	•	•	•	•	•	•	•			
2902	KIT RIPARAZIONE VALVOLA	60081025			•	•	•	•	•	•	•	•	•	•	•	•	•			
2903	CURVA DI RACCORDO VALVOLA	60031953																		
	CURVA DI RACCORDO VALVOLA	60047727			•	•	•	•	•	•	•	•	•	•	•	•	•			
2905	DADO 1/2" SPESS. : 10	60020747-68			•	•	•	•	•	•	•	•	•	•	•	•	•			
2906	ANELLO OR D: 13.6-2.7	60024164-18			•	•	•	•	•	•	•	•	•	•	•	•	•			
2907	VITE	60017908			•	•	•	•	•	•	•	•	•	•	•	•	•			
2909	VALVOLA SICUREZZA	61020933			•	•	•	•	•	•	•	•	•	•	•	•	•			



Rifer. figura	Descrizione	Codice	Altra	Tipo	20														Data					
					Multi 20		220 EV		Multi Venti Top		Celtic 220 RSc		MC 13-20 RSc b		Cantina R Pensotti		Cantina F Pensotti		RS 20 M Electa		M 20 Novagras		da	a
					CF	FF	CF	FF	FFa	FF	CF	FF	CF	FF	CF	FF	CF	FF	CF	FF	CF	FF		
<b>3000</b>	<b>ESTRATTORE COMPLETO 220V</b>	60058026																						
	ESTRATTORE COMPLETO 220V	61009108-08																						
3001	MOTORE ESTRA. + TURBINA 220V	60058027																						
	MOTORE ESTRA. + TURBINA 220V	60058027																				12/91		
	MOTORE ESTRA. + TURBINA 220V	60058027																				12/91		
	MOTORE ESTRATTORE	61004304																						
3002	SCATOLA ESTRAZIONE	60056628																						
3003	GUARNIZIONE (/Coperchio)	60055083																						
3004	VITE AUTOBLOCCANTE M 4-15	60039054-03																						
3005	RONDELLA A VENTAGLIO D: 4	60028466-03																						
3006	SUPPORTO ESTRATTORE (Confe.)	60081051																						
3007	VITE HS M 6-12	60005799-13																						
3008	VITE CBLZ M 4-8	60057750																						
3009	VENTURI	61009248																						
3011	VITE AUTOFIL. CBLZ D: 3.9-9.5	60050460-03																						
3013	VITE DI FISSAGGIO MOTORE (Sac)	60081422																						
<b>3100</b>	<b>KIT USCITA ORIZZONTALE</b>	61009357																						
3101	DOPPIA CURVA	61009478																						
3102	VENTURI DELL'ESTRATTORE	60060359																						
3103	PRESA DI PRESSIONE (Sacchetto)	60081053																						
3104	PRESSOSTATO ARIA (Sacchetto)	60081054																						
3105	SUPPORTO PRESSOSTATO (Sacche.)	60081369																						
3106	PRESA DI PRESSIONE (Sacchetto)	60081056																						
3107	CALOTTA (/Pressostato)	60060418																						
3108	GUARNIZIONE	60053839																						
3109	GUARNIZIONE	60053840																						
3110	MANICOTTO	61009423																						
3111	GUAINA INTERNA	60061084																						
	GUAINA INTERNA	61009604																						
3112	GHIERA CON OR	60081057																						
3113	GUARNIZIONE (/Collaretto)	60053842																						
3115	VITE HS M 6-15	60019316-03																						
3116	VITE AUTOFIL. CLS D: 3.9-19	60061982																						
3119	TUBO SIL. D: 6x1 LUNG : 1.30M	60081265-04																						
3120	VITE M 5-8	60015691-03																						
3150	TERMINALE	60062601																						
3152	TERMINALE	60062007																						
3153	VITE M 3-10	60063840																						

5000



Rifer. figura	Descrizione	Codice	Altra	Tipo	20																Data			
					Multi 20		220 EV		Multi Venti Top		Celtic 220 RSc		MC 13-20 RSc b		Cantina R Pensotti		Cantina F Pensotti		RS 20 M Electa		M 20 Novagas		da	a
					CF	FF	CF	FF	FFa	FF	CF	FF	CF	FF	CF	FF	CF	FF	CF	FF	CF	FF		
<b>5000</b>	<b>OPZIONI</b>																							
5001	EQP TRASFORMA. METANO > GPL	61004630																						
5002	EQP TRASFORMA. GPL > METANO	60079620																						
	EQP TRASFORMA. GPL > METANO	60079803																						
	EQP TRASFORMA. GPL > METANO	61007159																						
5008	DISCONNETTORE (EQP)	60061909																						
5036	KIT SICUREZZA TTB	61008856																						
5039	COPERCHIO DEGASATORE	60074389																						



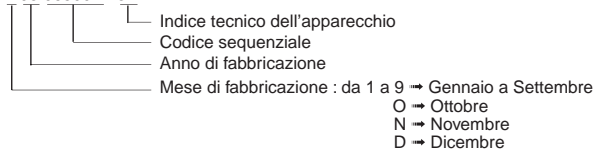
## ELENCO ABBREVIAZIONI UTILIZZATE

EC .....	: Acqua calda.
EF .....	: Acqua fredda.
C .....	: Resistenza ceramica (Riscaldamento normale).
Ca .....	: resistenza ceramica (Riscaldamento accelerato).
TP .....	: Resistenza immersa.
1F .....	: Con rubinetteria.
2F .....	: Senza rubinetteria.
3F .....	: con rubinetteria e uscita complementare.
AMI .....	: Con miscelatore integrato.
SMI .....	: Senza miscelatore integrato.
PUISS .....	: Natura dell'apparecchio.
PN .....	: Apparecchio a pressione normale.
BP .....	: Apparecchio a bassa pressione.
PV .....	: Apparecchio a potenza variabile.
PF .....	: Apparecchio a potenza stabile.

## TARGA MATRICOLA

### NUMERO DI SERIE

Es: 1 95 065004 - 31



I dati presenti sulla tariffa e le documentazioni commerciali o tecniche, gli schemi e altre informazioni sono dati a titolo indicativo e validi per un certo periodo. Il COSTRUTTORE si riserva la facoltà di modificare la presentazione, la forma, la dimensione, la concezione o la materia dei suoi prodotti.